

7FBE10 7FBE13



7FBE15

MAIN VEHICLE SPECIFICATIONS

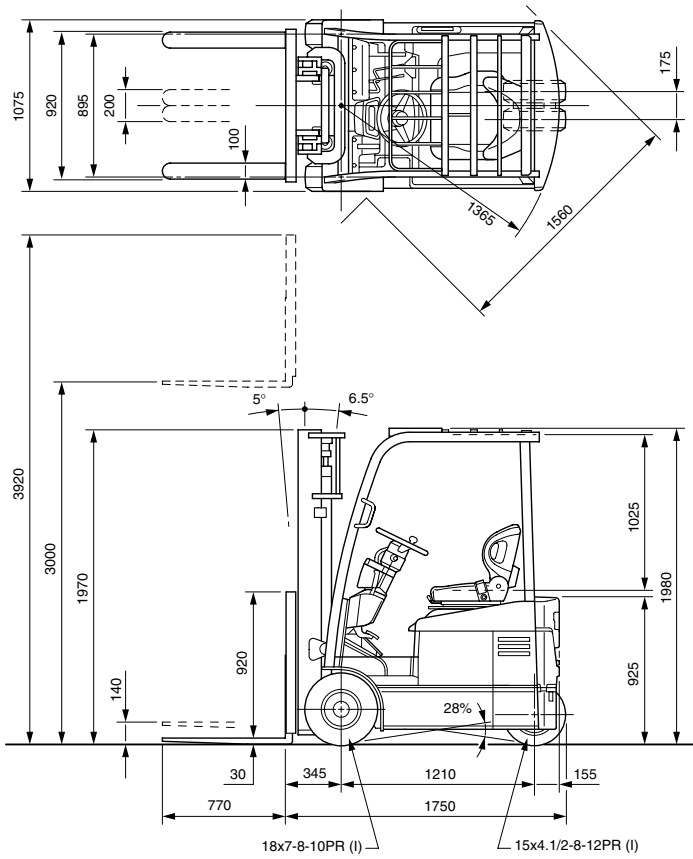
1	Manufacturer			TOYOTA	TOYOTA
2	Model			7FBE10	7FBE13
3	Load Capacity	kg		1000	1250
4	Load Center	mm		500	500
5	Power Type			Battery	Battery
6	Operator Position			Rider Seated	Rider Seated
7	Tire Type	Front/Rear		Pneumatic	Pneumatic
8	Wheels (x = driven)	Front/Rear		2x/2	2x/2
9	Maximum Fork Height (MFH)	mm		3000	3000
10	Free Lift	mm		140	145
13	Fork Size	T x W x L	mm	30x100x770	35x100x850
	Fork Spread (Outside)	MAX./MIN.	mm	920/200	920/200
14	Tilt Range	FWD/BWD	deg	5/6.5	5/6.5
15	Length to Fork Face		mm	1750	1755
16	Overall Width		mm	1075	1075
17	Mast Lowered Height		mm	1970	1970
18	Mast Extended Height		mm	3920	3920
19	Overhead Guard Height		mm	1980	1980
21	Turning Radius (Outside)		mm	1365	1400
22	Load Distance (Centerline of front axle to front face of forks)		mm	345	350
	Rear Overhang		mm	155	190
23	Basic Right Angle Stacking Aisle Width (Add load length and clearance)		mm	1710	1750
24	Speeds	Travel, Max. (FWD/RVS)	Full Load	km/h	15/15
			No Load	km/h	16.5/16.5
25	Lifting		Full Load	mm/sec	490
			No Load	mm/sec	610
26	Lowering		Full Load	mm/sec	500
			No Load	mm/sec	550
27	Drawbar Pull *	Full Load/ No Load	3-Minute Ratings	N	9600/9100
			5-Minute Ratings	N	9600/9100
			60-Minute Ratings	N	5300/5100
29	Gradeability *	Full Load/ No Load	3-Minute Ratings	% (tanθ)	32/24
			5-Minute Ratings	% (tanθ)	32/24
			30-Minute Ratings	% (tanθ)	24/24
32	Total Weight	Without Battery		kg	1690
33	Weight Distribution (With STD Battery)	Full Load	Front	kg	2855
			Rear	kg	370
34	No Load	Front	kg	1160	1150
		Rear	kg	1065	1275
35	Number	Front/Rear			2/2
36	Tires	Front			18x7-8-10PR (I)
37		Rear			15x4.1/2-8-12PR (I)
38	Wheelbase		mm	1210	1210
39	Tread	Front	mm	895	895
		Rear	mm	175	175
	Backrest Height		mm	920	920
	Overhead Guard Clearance		mm	1025	1025
	Counterweight Height		mm	925	925
	Step Height/Floor Height		mm	430/545	430/545
40	Underclearance	Min. <Frame>** (No Load)	mm	60	60
41		Center of Wheelbase (Full Load)	mm	80	80
	Grade Clearance	Frame	% (tanθ)	28	28
42	Brake	Service (Foot)			Mechanical
43		Parking			
45	Battery	Voltage/Capacity	STD	V/AH	48/280
		(5-hour rating)	High	V/AH	48/365
46		Weight (STD Capacity Type)	kg	535	535
47	Electric Motors	Drive	kW	4.9x2	4.9x2
48		Load Handling	kW	9.2	9.2
54	Control Type	Drive			Transistor inverter
		Load Handling			
57	Operating Pressure	For Attachments	Mpa (psi)	13.7 (2000)	13.7 (2000)

NOTE: * Computed values.
** Frame point next to steer tire.

DIMENSIONAL DRAWINGS

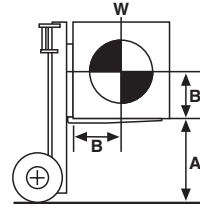
7FBE10

Unit: mm



RATED CAPACITIES

7FBE10



A: Max. Fork Height
B: Load Center
W: Capacity

V, SV, FV Mast

Unit: kg (W)

A (mm)	3500	3700	4000	4500	5000
500	1000	1000	950	850	800
600	890	890	850	760	720
B (mm)	700	810	810	770	690
800	740	740	700	630	590
900	680	680	650	580	540
1000	630	630	600	530	500

FSV Mast

Unit: kg (W)

A (mm)	4000	4300	4700	5000	5500	6000
500	950	900	850	750	700	500
600	850	810	760	670	630	450
B (mm)	700	770	730	690	610	410
800	710	670	630	560	520	370
900	650	620	590	520	480	340
1000	610	570	540	480	450	320

UNDERCLEARANCE

- Mast (Full Load)----- 75
- Drive Axle (Full Load)----- 90
- Center of Wheelbase (Full Load)----- 80
- Counterweight (No Load)----- 85

SPECIAL MAST

Wide Visible Mast (V, SV), Wide Visible Full-Free Lift Two-Stage Mast (FV), Wide Visible Full-Free Lift Three-Stage Mast (FSV)

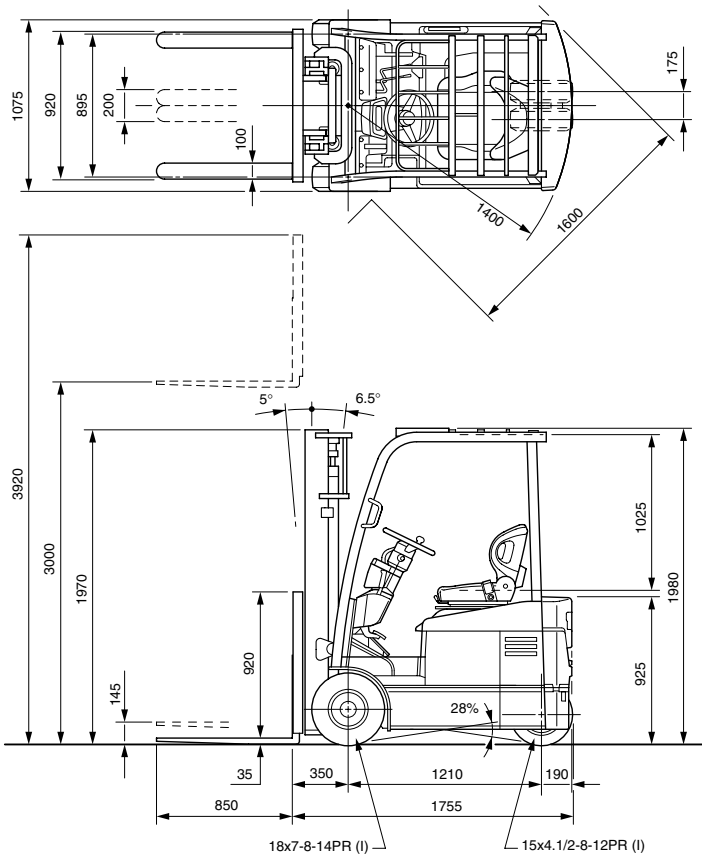
Model				7FBE10								
Type of Mast				V, SV			FV			FSV		
PERFORMANCE												
Power Mode				H	P	S	H	P	S	H	P	S
Speeds	Lifting	Full Load	mm/sec	490	410	340	460	390	320	460	390	320
		No Load	mm/sec	610	540	480	560	490	430	560	490	430
	Lowering	Full Load	mm/sec	500	500	500	480	480	480	480	480	480
		No Load	mm/sec	550	550	550	420	420	420	450	450	450
DIMENSIONS												
Load Distance (Centerline of front axle to front face of forks)				mm			345			385		

NOTE: H High power mode.
P Power mode.
S Standard mode.

DIMENSIONAL DRAWINGS

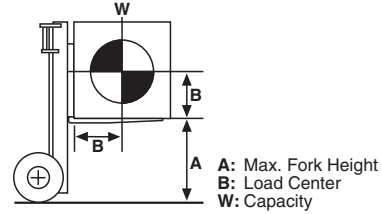
7FBE13

Unit: mm



RATED CAPACITIES

7FBE13



V, SV, FV Mast

Unit: kg (W)

A (mm)	3500	3700	4000	4500	5000
500	1250	1250	1200	1100	950
600	1120	1120	1070	980	850
B (mm)	700	1010	1010	970	890
	800	920	920	890	810
	900	850	850	820	750
	1000	790	790	760	690

FSV Mast

Unit: kg (W)

A (mm)	4000	4300	4700	5000	5500	6000
500	1150	1100	1000	900	800	600
600	1030	990	900	810	720	540
B (mm)	700	940	900	820	730	490
	800	860	820	750	670	450
	900	790	760	690	620	410
	1000	740	700	640	580	380

UNDERCLEARANCE

- Mast (Full Load) ----- 75
- Drive Axle (Full Load) ----- 90
- Center of Wheelbase (Full Load) ----- 80
- Counterweight (No Load) ----- 85

SPECIAL MAST

Wide Visible Mast (V, SV), Wide Visible Full-Free Lift Two-Stage Mast (FV), Wide Visible Full-Free Lift Three-Stage Mast (FSV)

Model				7FBE13									
Type of Mast				V, SV			FV			FSV			
PERFORMANCE													
Power Mode				H	P	S	H	P	S	H	P	S	
Speeds	Lifting	Full Load	mm/sec	450	380	300	430	360	290	430	360	290	
		No Load	mm/sec	610	540	480	560	490	430	560	490	430	
	Lowering	Full Load	mm/sec	500	500	500	480	480	480	480	480	480	
		No Load	mm/sec	550	550	550	420	420	420	450	450	450	
DIMENSIONS													
Load Distance (Centerline of front axle to front face of forks)				mm	350			350			390		

NOTE: H High power mode.
P Power mode.
S Standard mode.

MAST SPECIFICATIONS & RATED CAPACITIES

Wide Visible Mast (V), Wide Visible Mast (SV), Wide Visible Full-Free Lift Two-Stage Mast (FV),
Wide Visible Full-Free Lift Three-Stage Mast (FSV)
7FBE10

Mast Type	Maximum Fork Height	Overall Height			Free Lift		Tilt Range		Load Capacity at 500 mm LC
		Lowered	Extended		Without Load Backrest	With Standard Load Backrest	FWD	BWD	
			Without Load Backrest	With Standard Load Backrest					
		mm	mm	mm	mm	mm	mm	deg	
V	2500	1720	3055*	3420	140	140	5	5	1000
	2700	1820	3255*	3620	140	140	5	6.5	1000
	3000	1970	3555*	3920	140	140	5	6.5 (5)	1000
	3300	2120	3855*	4220	140	140	5	6.5 (5)	1000
	3500	2220	4055*	4420	140	140	5	6.5 (5)	1000
	3700	2380	4255*	4620	140	140	5	6.5 (5)	1000
	4000	2570	4555*	4920	140	140	5	6.5 (5)	950
	5000	2820	5055*	5420	140	140	5	6.5 (5)	850
	3070	5555*	5920	140	140	5	6.5 (5)	800	
SV	3000	1970	3685	3920	360	360	5	6.5 (5)	1000
	3300	2120	3985	4220	360	360	5	6.5 (5)	1000
	3500	2220	4185	4420	360	360	5	6.5 (5)	1000
FV	2500	1720	3080	3420	1170**	830	5	5	1000
	2700	1820	3280	3620	1270**	930	5	6.5	1000
	3000	1970	3580	3920	1420**	1080	5	6.5 (5)	1000
	3300	2120	3880	4220	1570**	1230	5	6.5 (5)	1000
	3500	2220	4080	4420	1670**	1330	5	6.5 (5)	1000
	4000	2380	4280	4620	1830**	1490	5	6.5 (5)	1000
	2570	4580	4920	2020**	1680	5	6.5 (5)	950	
FSV	3700	1770	4275	4620	1225	880	5	6.5	950
	4000	1870	4575	4920	1325	980	5	6.5	950
	4300	1970	4875	5220	1425	1080	5	6.5 (5)	900
	4500	2040	5075	5420	1495	1150	5	6.5 (5)	850
	4700	2120	5275	5620	1575	1230	5	6.5 (5)	850
	5000	2220	5575	5920	1675	1330	5	6.5 (5)	750
	5500	2380	6075	6420	1835	1490	5	6.5 (5)	700
	6000	2570	6575	6920	2025	1680	5	6.5 (5)	500

NOTE: Height of standard load backrest is 920 mm.

* with A4 piping, plus 85 mm.

** with A4 piping, minus 90 mm.

() for Windshield Models.

7FBE13

Mast Type	Maximum Fork Height	Overall Height			Free Lift		Tilt Range		Load Capacity at 500 mm LC
		Lowered	Extended		Without Load Backrest	With Standard Load Backrest	FWD	BWD	
			Without Load Backrest	With Standard Load Backrest					
		mm	mm	mm	mm	mm	mm	deg	
V	2500	1720	3055*	3420	145	145	5	5	1250
	2700	1820	3255*	3620	145	145	5	6.5	1250
	3000	1970	3555*	3920	145	145	5	6.5 (5)	1250
	3300	2120	3855*	4220	145	145	5	6.5 (5)	1250
	3500	2220	4055*	4420	145	145	5	6.5 (5)	1250
	3700	2380	4255*	4620	145	145	5	6.5 (5)	1250
	4000	2570	4555*	4920	145	145	5	6.5 (5)	1200
	5000	2820	5055*	5420	145	145	5	6.5 (5)	1100
	3070	5555*	5920	145	145	5	6.5 (5)	950	
SV	3000	1970	3685	3920	365	365	5	6.5 (5)	1250
	3300	2120	3985	4220	365	365	5	6.5 (5)	1250
	3500	2220	4185	4420	365	365	5	6.5 (5)	1250
FV	2500	1720	3100	3420	1155**	835	5	5	1250
	2700	1820	3300	3620	1255**	935	5	6.5	1250
	3000	1970	3600	3920	1405**	1085	5	6.5 (5)	1250
	3300	2120	3900	4220	1555**	1235	5	6.5 (5)	1250
	3500	2220	4100	4420	1655**	1335	5	6.5 (5)	1250
	3700	2380	4300	4620	1815**	1495	5	6.5 (5)	1250
	2570	4600	4920	2005**	1685	5	6.5 (5)	1200	
FSV	3700	1770	4275	4620	1225	885	5	6.5	1150
	4000	1870	4575	4920	1325	985	5	6.5	1150
	4300	1970	4875	5220	1425	1085	5	6.5 (5)	1100
	4500	2040	5075	5420	1495	1155	5	6.5 (5)	1000
	4700	2120	5275	5620	1575	1235	5	6.5 (5)	1000
	5000	2220	5575	5920	1675	1335	5	6.5 (5)	900
	5500	2380	6075	6420	1835	1495	5	6.5 (5)	800
	6000	2570	6575	6920	2025	1685	5	6.5 (5)	600

NOTE: Height of standard load backrest is 920 mm.

* with A4 piping, plus 85 mm.

** with A4 piping, minus 70 mm.

() for Windshield Models.

7FBE15 7FBE18 7FBE20

MAIN VEHICLE SPECIFICATIONS

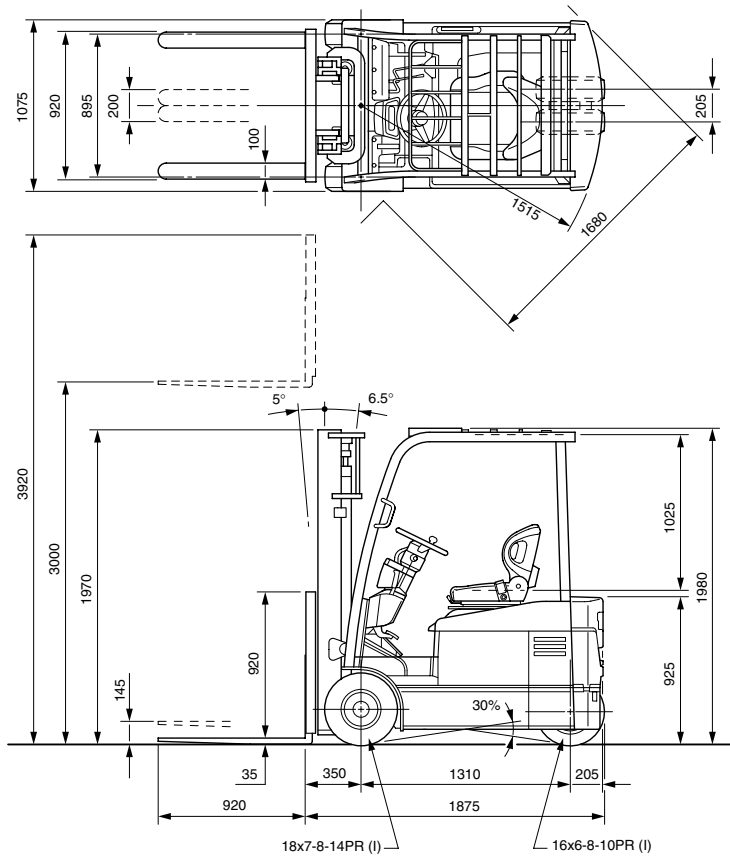
1	Manufacturer			TOYOTA	TOYOTA	TOYOTA	
2	Model			7FBE15	7FBE18	7FBE20	
3	Load Capacity	kg		1500	1750	2000	
4	Load Center	mm		500	500	500	
5	Power Type			Battery	Battery	Battery	
6	Operator Position			Rider Seated	Rider Seated	Rider Seated	
7	Tire Type	Front/Rear		Pneumatic	Pneumatic	PSC/Pneumatic	
8	Wheels (x = driven)	Front/Rear		2x/2	2x/2	2x/2	
9	Maximum Fork Height (MFH)	mm		3000	3000	3000	
10	Free Lift	mm		145	145	125	
13	Fork Size	T x W x L	mm	35x100x920	35x100x920	38x120x920	
	Fork Spread (Outside)	MAX./MIN.	mm	920/200	920/200	1020/240	
14	Tilt Range	FWD/BWD	deg	5/6.5	5/6.5	5/6.5	
15	Length to Fork Face		mm	1875	1905	2045	
16	Overall Width		mm	1075	1075	1075	
17	Mast Lowered Height		mm	1970	1970	1970	
18	Mast Extended Height		mm	3920	3920	3920	
19	Overhead Guard Height		mm	1980	1980	1980	
21	Turning Radius (Outside)		mm	1515	1550	1675	
22	Load Distance (Centerline of front axle to front face of forks)		mm	350	350	365	
	Rear Overhang		mm	205	240	275	
23	Basic Right Angle Stacking Aisle Width (Add load length and clearance)		mm	1865	1900	2040	
24	Speeds	Travel, Max. (FWD/RVS)	Full Load	km/h	15/15	14.5/14.5	
			No Load	km/h	16.5/16.5	16/16	15.5/15.5
25	Lifting		Full Load	mm/sec	430	390	
			No Load	mm/sec	610	610	500
26	Lowering		Full Load	mm/sec	500	500	
			No Load	mm/sec	550	550	500
27	Drawbar Pull *	Full Load/ No Load	3-Minute Ratings	N	9400/9000	9400/9000	
			5-Minute Ratings	N	9400/9000	9400/9000	9200/9200
			60-Minute Ratings	N	5100/5000	5000/5000	4800/5100
29	Gradeability *	Full Load/ No Load	3-Minute Ratings	% (tanθ)	24/21	21/20	
			5-Minute Ratings	% (tanθ)	24/21	21/20	19/20
			30-Minute Ratings	% (tanθ)	18/21	16/20	14/20
32	Total Weight	Without Battery		kg	2010	2165	
33	Weight Distribution (With STD Battery)	Full Load	Front	kg	3680	4070	
			Rear	kg	505	520	610
34	No Load	Front	kg	1210	1185	1305	
		Rear	kg	1475	1655	1850	
35	Number	Front/Rear			2/2	2/2	
36	Tires	Front			18x7-8-14PR (I)	18x7-8-16PR (I)	
37		Rear			16x6-8-10PR (I)	16x6-8-10PR (I)	
38	Wheelbase		mm	1310	1310	1400	
39	Tread	Front	mm	895	895	895	
		Rear	mm	205	205	205	
	Backrest Height		mm	920	920	920	
	Overhead Guard Clearance		mm	1025	1025	1025	
	Counterweight Height		mm	925	925	925	
	Step Height/Floor Height		mm	430/545	430/545	430/545	
40	Underclearance	Min. <Frame>** (No Load)	mm	60	60	60	
41		Center of Wheelbase (Full Load)	mm	80	80	80	
	Grade Clearance	Frame	% (tanθ)	30	30	27	
42	Brake	Service (Foot)			Mechanical	Mechanical	
43		Parking				Hand	Hand
45	Battery	Voltage/Capacity	STD	V/AH	48/390	48/390	
		(5-hour rating)	High	V/AH	48/565	48/565	
46		Weight (STD Capacity Type)	kg	675	675	675	
47	Electric Motors	Drive	kW	4.9x2	4.9x2	4.9x2	
48		Load Handling	kW	9.2	9.2	9.2	
54	Control Type	Drive			Transistor inverter	Transistor inverter	
		Load Handling				Transistor inverter	
57	Operating Pressure	For Attachments	Mpa (psi)	13.7 (2000)	13.7 (2000)	13.7 (2000)	

NOTE: * Computed values.
** Frame point behind drive tire.
PSC: Pneumatic-Shaped Cushion

DIMENSIONAL DRAWINGS

7FBE15

Unit: mm

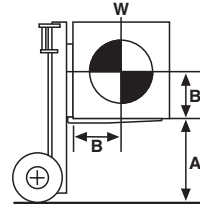


UNDERCLEARANCE

- Mast (Full Load) ----- 75
- Drive Axle (Full Load) ----- 90
- Center of Wheelbase (Full Load) ----- 80
- Counterweight (No Load) ----- 85

RATED CAPACITIES

7FBE15



A: Max. Fork Height
B: Load Center
W: Capacity

V, SV, FV Mast

Unit: kg (W)

A (mm)	3500	3700	4000	4500	5000
500	1500	1500	1500	1350	1250
600	1340	1340	1340	1210	1120
B (mm)	700	1210	1210	1090	1010
800	1110	1110	1110	1000	920
900	1020	1020	1020	920	850
1000	940	940	940	850	790

FSV Mast

Unit: kg (W)

A (mm)	3700	4300	4700	5000	5500	6000
500	1500	1400	1350	1200	900	700
600	1350	1260	1210	1080	810	630
B (mm)	700	1220	1140	1100	980	730
800	1120	1050	1010	900	670	520
900	1030	970	930	830	620	480
1000	960	900	860	770	580	450

SPECIAL MAST

Wide Visible Mast (V, SV), Wide Visible Full-Free Lift Two-Stage Mast (FV), Wide Visible Full-Free Lift Three-Stage Mast (FSV)

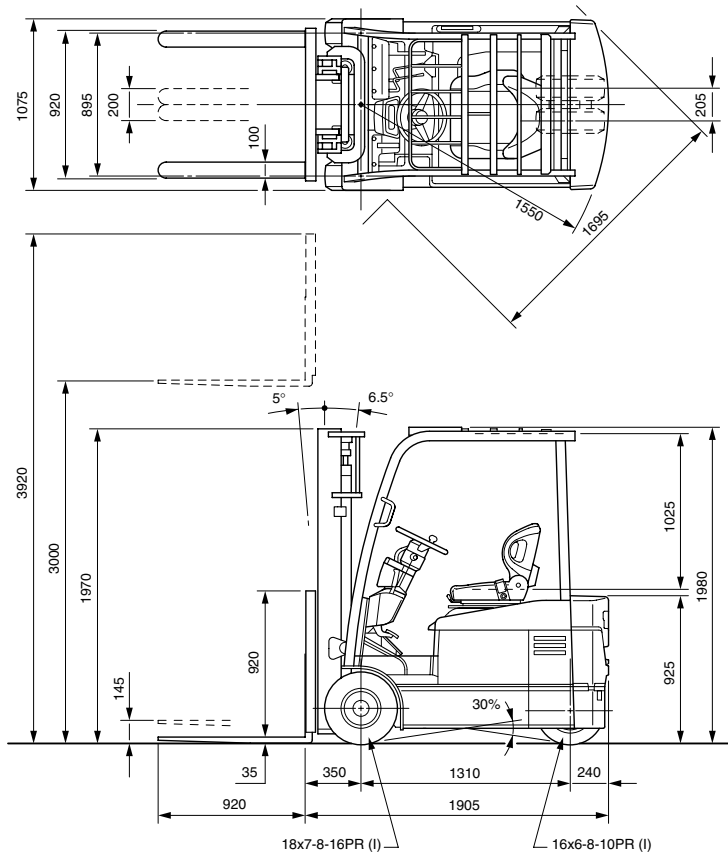
Model				7FBE15									
Type of Mast				V, SV			FV			FSV			
PERFORMANCE													
Power Mode				H	P	S	H	P	S	H	P	S	
Speeds	Lifting	Full Load	mm/sec	430	350	280	400	330	270	400	330	270	
		No Load	mm/sec	610	540	480	560	490	430	560	490	430	
	Lowering	Full Load	mm/sec	500	500	500	480	480	480	480	480	480	
		No Load	mm/sec	550	550	550	420	420	420	450	450	450	
DIMENSIONS													
Load Distance (Centerline of front axle to front face of forks)				mm	350			350			390		

NOTE: H High power mode.
P Power mode.
S Standard mode.

DIMENSIONAL DRAWINGS

7FBE18

Unit: mm



UNDERCLEARANCE

- Mast (Full Load) ----- 75
- Drive Axle (Full Load) ----- 90
- Center of Wheelbase (Full Load) ----- 80
- Counterweight (No Load) ----- 85

SPECIAL MAST

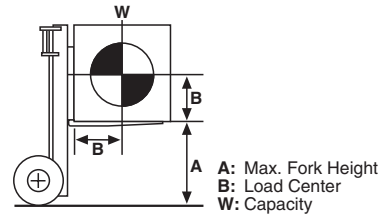
Wide Visible Mast (V, SV), Wide Visible Full-Free Lift Two-Stage Mast (FV), Wide Visible Full-Free Lift Three-Stage Mast (FSV)

Model				7FBE18									
Type of Mast				V, SV			FV			FSV			
PERFORMANCE													
Power Mode				H	P	S	H	P	S	H	P	S	
Speeds	Lifting	Full Load	mm/sec	390	320	250	380	310	240	380	310	240	
		No Load	mm/sec	610	540	480	560	490	430	560	490	430	
	Lowering	Full Load	mm/sec	500	500	500	480	480	480	480	480	480	
		No Load	mm/sec	550	550	550	420	420	420	450	450	450	
DIMENSIONS													
Load Distance (Centerline of front axle to front face of forks)				mm	350			350			390		

NOTE: H High power mode.
P Power mode.
S Standard mode.

RATED CAPACITIES

7FBE18



V, SV, FV Mast

Unit: kg (W)

A (mm)	3500	3700	4000	4500	5000
500	1750	1750	1700	1550	1300
600	1570	1570	1520	1390	1160
B (mm)	700	1420	1420	1380	1260
	800	1290	1290	1260	1150
	900	1190	1190	1160	1050
	1000	1100	1100	1070	980

FSV Mast

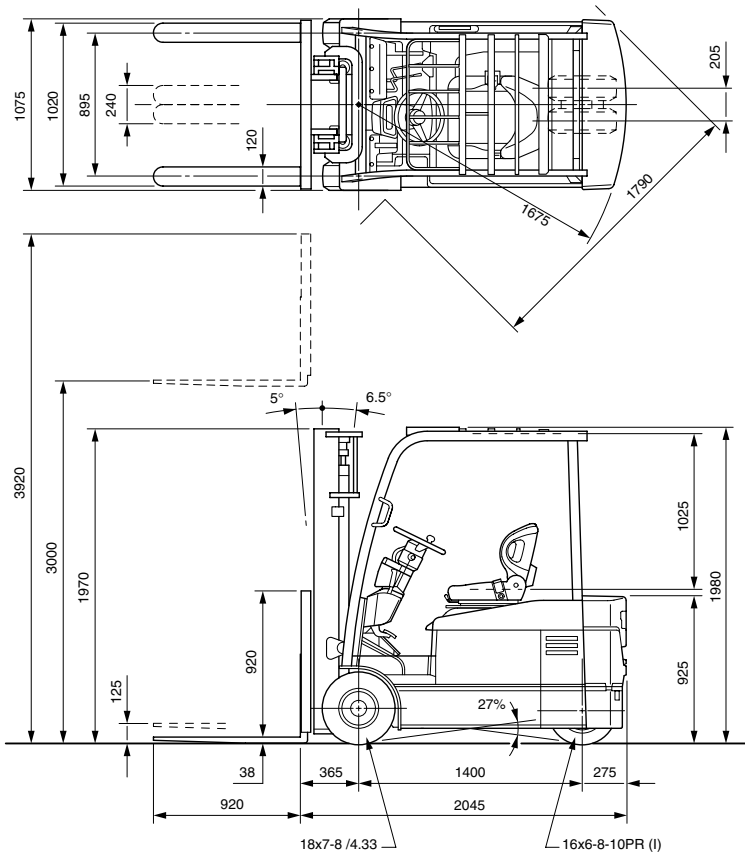
Unit: kg (W)

A (mm)	4000	4300	4700	5000	5500	6000
500	1600	1550	1400	1300	950	750
600	1440	1390	1260	1170	850	670
B (mm)	700	1310	1270	1140	1060	780
	800	1200	1160	1050	970	710
	900	1100	1070	970	900	660
	1000	1020	990	900	830	610

DIMENSIONAL DRAWINGS

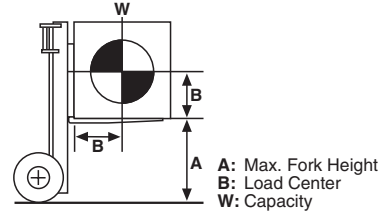
7FBE20

Unit: mm



RATED CAPACITIES

7FBE20



V Mast Unit: kg (W)

A (mm)	4000	4500	5000	
500	2000	1850	1600	
600	1790	1660	1430	
B (mm)	700	1630	1500	1300
800	1490	1370	1190	
900	1370	1270	1090	
1000	1270	1170	1010	

FSV Mast Unit: kg (W)

A (mm)	3700	4000	4300	4700	5000	5500	6000
500	2000	1950	1850	1700	1500	1250	900
600	1800	1760	1670	1530	1350	1130	810
B (mm)	700	1640	1600	1520	1390	1020	740
800	1500	1460	1390	1280	1130	940	680
900	1390	1350	1280	1180	1040	870	620
1000	1290	1260	1190	1100	970	810	580

UNDERCLEARANCE

- Mast (Full Load) ----- 75
- Drive Axle (Full Load) ----- 90
- Center of Wheelbase (Full Load) ----- 80
- Counterweight (No Load) ----- 85

SPECIAL MAST

Wide Visible Mast (V), Wide Visible Full-Free Lift Three-Stage Mast (FSV)

Model				7FBE20					
Type of Mast				V		FSV			
PERFORMANCE									
Power Mode				H	P	S	H	P	S
Speeds	Lifting	Full Load	mm/sec	340	280	220	320	270	210
		No Load	mm/sec	500	450	400	470	420	360
	Lowering	Full Load	mm/sec	500	500	500	480	480	480
		No Load	mm/sec	500	500	500	450	450	450
DIMENSIONS									
Load Distance (Centerline of front axle to front face of forks)				mm		365		415	

NOTE: H High power mode.
P Power mode.
S Standard mode.

MAST SPECIFICATIONS & RATED CAPACITIES

Wide Visible Mast (V), Wide Visible Mast (SV), Wide Visible Full-Free Lift Two-Stage Mast (FV),

Wide Visible Full-Free Lift Three-Stage Mast (FSV)

7FBE15

Mast Type	Maximum Fork Height	Overall Height			Free Lift		Tilt Range		Load Capacity at 500 mm LC
		Lowered	Extended		Without Load Backrest	With Standard Load Backrest	FWD	BWD	
			Without Load Backrest	With Standard Load Backrest					
		mm	mm	mm	mm	mm	mm	deg	
V	2500	1720	3055*	3420	145	145	5	5	1500
	2700	1820	3255*	3620	145	145	5	6.5	1500
	3000	1970	3555*	3920	145	145	5	6.5 (5)	1500
	3300	2120	3855*	4220	145	145	5	6.5 (5)	1500
	3500	2220	4055*	4420	145	145	5	6.5 (5)	1500
	3700	2380	4255*	4620	145	145	5	6.5 (5)	1500
	4000	2570	4555*	4920	145	145	5	6.5 (5)	1500
	4500	2820	5055*	5420	145	145	5	6.5 (5)	1350
5000	3070	5555*	5920	145	145	5	6.5 (5)	1250	
SV	3000	1970	3685	3920	365	365	5	6.5 (5)	1500
	3300	2120	3985	4220	365	365	5	6.5 (5)	1500
	3500	2220	4185	4420	365	365	5	6.5 (5)	1500
FV	2500	1720	3100	3420	1155**	835	5	5	1500
	2700	1820	3300	3620	1255**	935	5	6.5	1500
	3000	1970	3600	3920	1405**	1085	5	6.5 (5)	1500
	3300	2120	3900	4220	1555**	1235	5	6.5 (5)	1500
	3500	2220	4100	4420	1655**	1335	5	6.5 (5)	1500
	3700	2380	4300	4620	1815**	1495	5	6.5 (5)	1500
4000	2570	4600	4920	2005**	1685	5	6.5 (5)	1500	
FSV	3700	1770	4275	4620	1225	885	5	6.5	1500
	4000	1870	4575	4920	1325	985	5	6.5	1400
	4300	1970	4875	5220	1425	1085	5	6.5 (5)	1400
	4500	2040	5075	5420	1495	1155	5	6.5 (5)	1350
	4700	2120	5275	5620	1575	1235	5	6.5 (5)	1350
	5000	2220	5575	5920	1675	1335	5	6.5 (5)	1200
	5500	2380	6075	6420	1835	1495	5	6.5 (5)	900
	6000	2570	6575	6920	2025	1685	5	6.5 (5)	700

NOTE: Height of standard load backrest is 920 mm.

* with A4 piping, plus 85 mm.

** with A4 piping, minus 70 mm.

() for Windshield Models.

7FBE18

Mast Type	Maximum Fork Height	Overall Height			Free Lift		Tilt Range		Load Capacity at 500 mm LC
		Lowered	Extended		Without Load Backrest	With Standard Load Backrest	FWD	BWD	
			Without Load Backrest	With Standard Load Backrest					
		mm	mm	mm	mm	mm	mm	deg	
V	2500	1720	3160*	3420	145	145	5	5	1750
	2700	1820	3360*	3620	145	145	5	6.5	1750
	3000	1970	3660*	3920	145	145	5	6.5 (5)	1750
	3300	2120	3960*	4220	145	145	5	6.5 (5)	1750
	3500	2220	4160*	4420	145	145	5	6.5 (5)	1750
	3700	2380	4360*	4620	145	145	5	6.5 (5)	1750
	4000	2570	4660*	4920	145	145	5	6.5 (5)	1700
	4500	2820	5160*	5420	145	145	5	6.5 (5)	1550
5000	3070	5660*	5920	145	145	5	6.5 (5)	1300	
SV	3000	1970	3685	3920	365	365	5	6.5 (5)	1750
	3300	2120	3985	4220	365	365	5	6.5 (5)	1750
	3500	2220	4185	4420	365	365	5	6.5 (5)	1750
FV	2500	1720	3100	3420	1155**	835	5	5	1750
	2700	1820	3300	3620	1255**	935	5	6.5	1750
	3000	1970	3600	3920	1405**	1085	5	6.5 (5)	1750
	3300	2120	3900	4220	1555**	1235	5	6.5 (5)	1750
	3500	2220	4100	4420	1655**	1335	5	6.5 (5)	1750
	3700	2380	4300	4620	1815**	1495	5	6.5 (5)	1750
4000	2570	4600	4920	2005**	1685	5	6.5 (5)	1700	
FSV	3700	1770	4275	4620	1225	885	5	6.5	1600
	4000	1870	4575	4920	1325	985	5	6.5	1600
	4300	1970	4875	5220	1425	1085	5	6.5 (5)	1550
	4500	2040	5075	5420	1495	1155	5	6.5 (5)	1400
	4700	2120	5275	5620	1575	1235	5	6.5 (5)	1400
	5000	2220	5575	5920	1675	1335	5	6.5 (5)	1300
	5500	2380	6075	6420	1835	1495	5	6.5 (5)	950
	6000	2570	6575	6920	2025	1685	5	6.5 (5)	750

NOTE: Height of standard load backrest is 920 mm.

* with A4 piping, minus 20 mm.

** with A4 piping, minus 70 mm.

() for Windshield Models.

MAST SPECIFICATIONS & RATED CAPACITIES

Wide Visible Mast (V), Wide Visible Full-Free Lift Three-Stage Mast (FSV)

7FBE20

Mast Type	Maximum Fork Height	Overall Height				Free Lift		Tilt Range		Load Capacity at 500 mm LC
		Lowered	Extended		Without Load Backrest	With Standard Load Backrest	FWD	BWD		
			Without Load Backrest	With Standard Load Backrest						
			mm	mm					mm	
V	2500	1720	3205	3420	125	125	5	5	2000	
	2700	1820	3405	3620	125	125	5	6.5	2000	
	3000	1970	3705	3920	125	125	5	6.5 (5)	2000	
	3300	2120	4005	4220	125	125	5	6.5 (5)	2000	
	3500	2220	4205	4420	125	125	5	6.5 (5)	2000	
	3700	2380	4405	4620	125	125	5	6.5 (5)	2000	
	4000	2570	4705	4920	125	125	5	6.5 (5)	2000	
	4500	2820	5205	5420	125	125	5	6.5 (5)	1850	
	5000	3070	5705	5920	125	125	5	6.5 (5)	1600	
	FSV	3700	1770	4385	4620	1120	885	5	6.5	2000
4000		1870	4685	4920	1220	985	5	6.5	1950	
4300		1970	4985	5220	1320	1085	5	6.5 (5)	1850	
4500		2040	5185	5420	1390	1155	5	6.5 (5)	1700	
4700		2120	5385	5620	1470	1235	5	6.5 (5)	1700	
5000		2220	5685	5920	1570	1335	5	6.5 (5)	1500	
5500		2380	6185	6420	1730	1495	5	6.5 (5)	1250	
6000		2570	6685	6920	1920	1685	5	6.5 (5)	900	

NOTE: Height of standard load backrest is 920 mm.
() for Windshield Models.

7FBE10.13.15.18.20

INDEX: ○ Standard
● Available

STANDARD EQUIPMENT

7FBE10.13.15.18.20

● Wide Visible Mast (V) [MFH: 3000 mm] ● Load backrest (V, SV and FSV masts) [Height: 920 mm] ● Operator Presence Sensing System (OPS) ● Easy-down system (V and SV masts) ● Power select function ● Power keep function ● ORS seat ● Memory tilt steering column ● Dual-action parking brake ● Full hydraulic power steering ● Electric horn ● Battery hood damper ● Floor mat ● Overhead guard ● Drawbar pin ● Digital multifunction display (Battery capacity indicator, Speedometer, 2-speed travel speed control setting indicator, Parking brake indicator, Power select function indicator, Overcharge indicator, OPS indicator, Power select function, Traveling power control, Load handling power control, 2-speed travel speed control, Key switch ON hour meter, Calendar & clock, Battery overdischarge warning (Lift interrupt), Battery remaining-charge warning, Battery electrolyte level warning, Overheat warning, Low temperature warning indicator, Parking brake off alarm, Parking brake on alarm, Return-to-neutral warning, Diagnostic digital indicator) ● SAS (Active Mast Function Controller and Active Steering Synchronizer)

OPTIONS AVAILABILITY CHART

Item	Model Code	7FBE 10	7FBE 13	7FBE 15	7FBE 18	7FBE 20
LOAD HANDLING						
Wide Visible Mast (SV)	★ M00C*	●	●	●	●	●
Full-free Lift 2-stage Mast (FV)	w. Backrest ★ M00F*	●	●	●	●	●
	w/o Backrest ★ M00F*	●	●	●	●	●
Full-free Lift 3-stage Mast (FSV)	w. Backrest ★ M00D*	●	●	●	●	●
Fully Oil Charged Lift Cylinder	☆☆ M09A	●	●	●	●	●
Long Forks	☆ M20A*	●	●	●	●	●
w/o Fork Set	☆ M20N	●	●	●	●	●
Long Forkbar	☆ M30A	●	●	●	●	●
High Load Backrest (Flat Steel Type)	☆☆ M33A*	●	●	●	●	●
Tilt Cylinder Boots	★ K11A	●	●	●	●	●
Mast Tilt Indicator	N14A	●	●	●	●	●
BATTERY AND CONTROLLER						
Battery	☆☆ D00*	●	●	●	●	●
Spare Battery (Wet Cell)	★ D20A	●	●	●	●	●
Spare Battery (Dry Cell)	★ D20J	●	●	●	●	●
Battery Case	D80B	●	●	●	●	●
Battery Roll-out	D56A			●	●	
Battery Charger	On Truck Type ☆☆ C30E	●	●	●	●	●
	Off Truck Type 1) ☆☆ C30L/M	●	●	●	●	●
Battery Connector Cable	★ D55A	●	●	●	●	●
Battery Code Adapter	★ D58A	●	●	●	●	●
Single Overall Electrolyte Filler Ports	★ D40A	●	●	●	●	●
LIGHT AND INDICATORS						
Headlights	J24A	●	●	●	●	●
Front Combination Lights	2) J20B	●	●	●	●	●
Rear Combination Lights	3) J21A	●	●	●	●	●
Rear Working Light	J26A	●	●	●	●	●
Yellow Beacon On The Overhead Guard	J19A	●	●	●	●	●
Back-up Buzzer	★ K21D	●	●	●	●	●
Adjustable-volume Back-up Buzzer	★ K21H	●	●	●	●	●
Forward Chime	★ K21B	●	●	●	●	●
Back-up Chime	★ K21C	●	●	●	●	●
Digital multifunction display (All-round type)	L09B	●	●	●	●	●
BODY						
Rear-view Mirror, Right and Left Sides	J10B	●	●	●	●	●
Suspension Seat w/ Damper	G40E	●	●	●	●	●
Overhead Guard Sheet	H01B	●	●	●	●	●
Front Windshield w/ Wiper	4) ★ H02H	●	●	●	●	●
Name Plate	5) S31A	●	●	●	●	●
Static Strap	6) ★ K64A	●	●	●	●	●
S.A.S. Equipped Decal	S28A	●	●	●	●	●
OPS Decal	S35A	●	●	●	●	●
CHASSIS						
Wide Brake Pedal	E32C	●	●	●	●	●
WHEELS AND TIRES						
Pneumatic Tire	☆☆	●	●	●	●	●
Pneumatic-Shaped Cushion Tire	☆☆	●	●	●	●	●

NOTE:

- Must specify D58A.
 - Front combination lights are composed of turn signal lights and clearance lights (Headlights are not included).
 - Rear combination lights are composed of turn signal lights, stop lights, tail lights and back up light.
 - Not available on V and FV mast at a maximum fork height 2500 and 2700 mm.
Not available on FSV mast at a maximum fork height 3700 and 4000 mm.
 - Available for English, Spanish, Chinese, French, Russian, Taiwanese, Portuguese, and Lithuanian.
 - When selecting Color Tire (Green, White), K64A is equipped as standard (Not necessary to specify).
- ★ Please see the "Matching Options".
☆ Please see the chart below for the item.

OPTIONS AVAILABILITY CHART

Item	Model		7FBE 10	7FBE 13	7FBE 15	7FBE 18	7FBE 20
	Code						
SPECIAL MODELS							
E.E.C. Spec.	6)	★	●	●	●	●	●
China Certification Spec.		★	●	●	●	●	●
E Mark (for EC)	6)		●	●	●	●	●
Australian Spec.		★	●	●	●	●	●
Cold-Storage Model (Type 45S)	7)	★	●	●	●	●	●
Rust-Proof Model (Fisherman Special)	7)	★	●	●	●	●	●
Rust-Proof Model	8)	★	●	●	●	●	●

NOTE:

- 6) Must specify for Israel and Lithuania.
 7) Includes B30H (Not necessary to specify).
 8) Includes K11A and M09A (Not necessary to specify).
 ★ Please see the "Matching Options".
 ☆ Please see the chart below for the item.

FULLY OIL CHARGED LIFT CYLINDER

Model	Mast Type	
7FBE 10.13.15.18	V	●
	SV	●
	FV	○
	FSV	●
7FBE20	V	●
	FSV	●

MAST INTERCHANGEABILITY

Model	Mast Type	7FBE10.13.15.18				7FBE20	
		V	SV	FV	FSV	V	FSV
7FBE10.13.15.18		●	●	●	●	●	●
7FBE20		●	—	—	●	—	—

NOTE: Only the same mast type as the originally mounted type on the forklift can be mounted.

MAST WEIGHT

Mast Type	Maximum Fork Height	Model	
		7FBE 10.13.15.18	7FBE20
		mm	kg
V	2500	300	360
	2700	310	380
	3000	330	400
	3300	360	430
	3500	380	450
	3700	390	460
	4000	410	490
	4500	460	550
SV	3000	370	—
	3300	400	—
	3500	420	—
FV	2500	350	—
	2700	360	—
	3000	390	—
	3300	420	—
	3500	440	—
	3700	450	—
FSV	4000	470	—
	3700	540	660
	4000	560	690
	4300	590	720
	4500	610	750
	4700	630	770
	5000	660	800
	5500	680	830
6000	750	920	

CAUTION:

The figures are without load backrest and forks.
 The figures presented in this chart have been rounded off to the nearest number.
 Use caution when applying them to specific products.

LONG FORKS

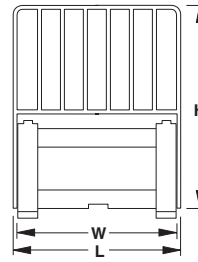
Model	Length	Width	Thickness	Long Forks
7FBE10	770	100	30	Unit: mm
	850			●
	920			●
	1070			●
	1220			● *
7FBE13	850	100	35	○
	920			●
	1070			●
	1220			●
7FBE15.18	850	100	35	●
	920			○
	1070			●
	1220			●
	1370			●
7FBE20	1520	120	38	●
	920			○
	1070			●
	1220			●
7FBE20	1370	120	38	●
	1520			●
	1520			●

NOTE: * Free Lift and Load Distance, Plus 5 mm.

LONG FORKBAR AND HIGH LOAD BACKREST

Unit: mm

Model	L		970	1070	1220	1370	1520
	H	W	920	1020	1170	1320	1470
7FBE 10.13.15.18	920	○	●	●	●	●	●
	1070	●	●	●	●	●	●
	1220	●	●	●	●	●	●
	1370	●					
	1520	●					
	1670	●					
7FBE20	920	○	●	●	●	●	●
	1070	●	●	●	●	●	●
	1220	●	●	●	●	●	●
	1370	●					
	1520	●					
	1670	●					
1820	●						



L: Outside width of load backrest
W: Length of forkbar
H: Height of load backrest

BATTERY AVAILABILITY

Model	Battery		
	V	AH/HR	
7FBE10.13	48	280/5	●
		312/5	●
		365/5	●*
		370/5	●**
7FBE15.18	48	390/5	●
		476/5	●
		565/5	●
7FBE20	48	390/5	●
		<476/5>	●
		<565/5>	●
		<645/5>	●

NOTE: * KOBE only
** GS YUASA only
< > Pneumatic-shaped cushion tires must be installed.

AVAILABILITY OF BATTERY CHARGER**Off-Truck Type (GS YUASA)**

Battery Voltage V	Battery Capacity AH/5HR	AC Input Voltage V	AC Power Supply Capacity A		kVA of Charger		7FBE10	7FBE13	7FBE15	7FBE18	7FBE20
			50Hz	60Hz	50Hz	60Hz					
			48	280-312	200	20					
	365-390	200	30	20	7.3	6.5	●	●	●	●	●
	476-565	200	30	30	9.2	8.1			●	●	●
	645	200	40	40	12.0	11.0					●
	280-312	400	10	10	5.4	4.7	●	●			
	365-390	400	15	10	7.3	6.5	●	●	●	●	●
	476-565	400	15	15	9.2	8.1			●	●	●
	645	400	20	20	12.0	11.0					●

NOTE: 1. The indicated input voltage means the available range of three-phase AC input voltages applied to the battery charger: 200V denotes the range of 200 to 230V and 400V the range of 340 to 460V, respectively.
2. In AC power sources where there is appreciable variance between the rated and the measured line voltage values, be sure to measure actual input voltage to a battery charger and then order it with correct power requirements for operation. Usually re-charging is done at night when incoming voltage is relatively high without line voltage drops, and it is a good practice, therefore, to measure the line voltage at night.

On-Truck Type

Battery Voltage V	Battery Capacity AH/5HR	AC Input Voltage V	AC Power Supply Capacity A		kVA of Charger		7FBE10	7FBE13	7FBE15	7FBE18	7FBE20
			50Hz	60Hz	50Hz	60Hz					
			48	280-312	200	15					
	365-390	200	15	15	4.5	4.8	●	●	●	●	●
	476-645	200	30	30	7.1	7.3			●	●	●

NOTE: The indicated input voltage means the available range of three-phase AC input voltages applied to the battery charger: 200V denotes the range of 200 to 230V.

TIRE AVAILABILITY

Model	Tire Arrangement	Pneumatic Tire				Pneumatic-Shaped Cushion Tire			
		Tire Size	Rim Size (Type)	J-Lug	Rib-Lug	Tire Size	Rim Size (Type)	U-Lug**	J-Lug
7FBE10	Front	18x7-8-10PR (I)	8x4.25DT (Divided)	●	○*	18x7-8/4.33	8x4.25DT (Divided)	●	●
	Rear	15x4.1/2-8-12PR (I)	8x3.00D DT (Divided)	●	○	15x4.1/2-8/3.00	8x3.00D DT (Divided)	●	●
7FBE13	Front	18x7-8-14PR (I)	8x4.25DT (Divided)	●	○*	18x7-8/4.33	8x4.25DT (Divided)	●	●
	Rear	15x4.1/2-8-12PR (I)	8x3.00D DT (Divided)	●	○	15x4.1/2-8/3.00	8x3.00D DT (Divided)	●	●
7FBE15	Front	18x7-8-14PR (I)	8x4.25DT (Divided)	●	○*	18x7-8/4.33	8x4.25DT (Divided)	●	●
	Rear	16x6-8-10PR (I)	8x4.25DT (Divided)	●	○*	16x6-8/4.33	8x4.25DT (Divided)	●	●
7FBE18	Front	18x7-8-16PR (I)	8x4.33R (Side-Ring)	●	○*	18x7-8/4.33	8x4.33R TB (Side-Ring)	●	●
	Rear	16x6-8-10PR (I)	8x4.25DT (Divided)	●	○*	16x6-8/4.33	8x4.25DT (Divided)	●	●
7FBE20	Front					18x7-8/4.33	8x4.33R TB (Side-Ring)	○	●
	Rear	16x6-8-10PR (I)	8x4.25DT (Divided)	●	○	16x6-8/4.33	8x4.25DT (Divided)	●	●

NOTE: * Snow tire is available (Mast height less than 4000 mm).
** Color tire is available (Green, White).

MATCHING OPTIONS (Column figures refer to matching with to the items listed at left)

Item	Code	1	2	3	4	5	6	7	8	9	10	11	12	13	14	15	16	17	18	19	20	21	22	23	24	25	26	27	28	29	30	31	32	33	34	35	36		
E.E.C. Spec.	A10A	1																																					
China Certification Spec.	A10R	2	X																																				
Australian Spec.	A20B	3	X	X																																			
Cold-storage Model (Type 45S)	B30E	4																																					
Rust-proof Model (Fisherman Special)	B30F	5																																					
Rust-proof Model	B30H	6				2	2																																
Battery Charger (On ruck Type)	C30E	7	X			X	X																																
Battery Charger (Off truck Type)	C30L/M	8	X							X																													
w/o Charger	C30N	9	X		X					X																													
Spare Charger	C37A	10	X																																				
Spare Battery (Wet Cell)	D20A	11	X																																				
Spare Battery (Dry Cell)	D20J	12	X								X																												
Battery (Wet Cell)	D00C	13	X									X																											
Battery (Dry Cell)	D00Q	14										X	X																										
Single Overall Electrolyte Filler Ports	D40A	15	X			X	X					X	X	X																									
Battery Connector Cable	D55A	16	X																																				
Battery Code Adapter	D58A	17	X																																				
Pneumatic Tire		18																																					
Pneumatic-Shaped Cushion Tire		19																			X																		
Snow Tire		20																		X	X																		
Color Tire (Green, White)		21																	X	X	X																		
Front Windshield w/ Wiper	H02H	22																																					
Tilt Cylinder Boots	K11A	23				X	X	3																															
Back-up Chime	K21C	24																																					
Back-up Buzzer	K21D	25																																					
Adjustable-volume Back-up Buzzer	K21H	26																																					
Forward Chime	K22A	27																					X		X	X													
Wide Visible Mast (V)	M00B	28																																					
Wide Visible Mast (SV)	M00C	29																																					
Full-free Lift 3-stage Mast (FSV)	M00D	30																																					
Full-free Lift 2-stage Mast (FV)	M00F	31																																					
Fully Oil Charged Lift Cylinder	M09A	32				X	X	3																														X	
High Load Backrest (Angle Shape Type)	M40A	33																																					
w/o Backrest	M40N	34																																				X	
Name Plate (English)	S31A	35	1																																				
Static Strap	K64A	36																																					4

INDEX: X Not available.
 1. E.E.C. Spec. can be combined with English and Lithuanian.
 2. When selecting B30E/F, B30H is equipped as standard.
 3. When selecting B30H, K11A and M09A are equipped as standard.
 4. When selecting Color Tire (Green, White), K64A is equipped as standard.

NOTE: For other matching please consult us.

SPECIFICATIONS OF BATTERY AND BATTERY CASE

The "minimum weight of battery with case" indicated in the table is the lightest weight of the battery required to satisfy stability requirements of the vehicle in which it is installed.

Specifications (GS YUASA)

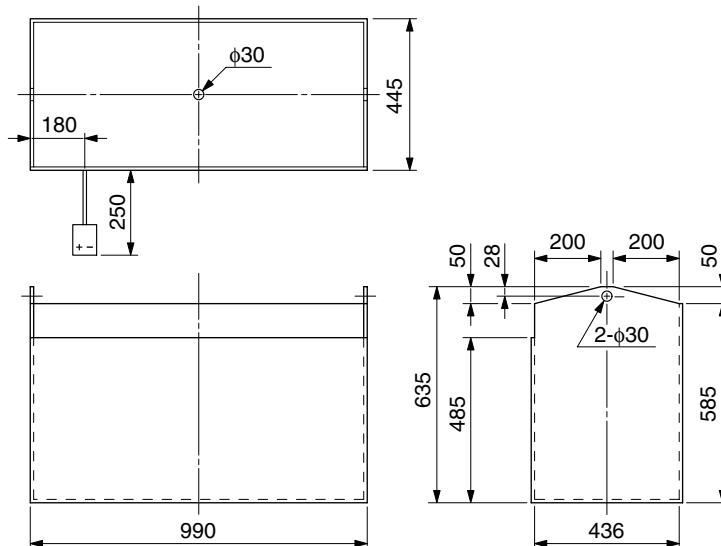
Model		7FBE10			7FBE13				
Vehicle Weight without Battery and Case	kg	1690			1890				
Minimum Weight of Battery with Case	kg	520			520				
Battery Connector Type		SB350A (2 Prong)			SB350A (2 Prong)				
Minimum Connector Length *	mm	250			250				
Truck Voltage	V	48			48				
Number of Cells	pcs	24			24				
Ampere-Hour Capacity	AH/HR	280/5	312/5	370/5	280/5	312/5	370/5		
Specs. of Cell	Overall Dimensions	Total Height	mm	522	552	552	522	552	552
		Container Height	mm	490	520	520	490	520	520
		Length	mm	90	90	90	90	90	90
		Width	mm	158	158	158	158	158	158
	Weight of Filled Cell	Approx. kg	16.5	19.0	20.0	16.5	19.0	20.0	
	Quantity of Electrolyte	Approx. liter	3.7	4.0	3.8	3.7	4.0	3.8	
Weight	Total (Battery and Case)	kg	560	555	580	560	555	580	
Operating Time			2h45m	3h10m	4h00m	2h40m	3h05m	3h50m	

NOTE: * The distance from case to the tip of the connector.

Dimensions of Battery Case

7FBE10.13

BATTERY CAPACITY : 280AH/5HR, 48V
312AH/5HR, 48V
365AH/5HR, 48V



Unit: mm

Dimensions of Battery Compartment

Model	7FBE10.13	
Width	mm	998
Length	mm	451
Height	mm	613

SPECIFICATIONS OF BATTERY AND BATTERY CASE

The "minimum weight of battery with case" indicated in the table is the lightest weight of the battery required to satisfy stability requirements of the vehicle in which it is installed.

Specifications (GS YUASA)

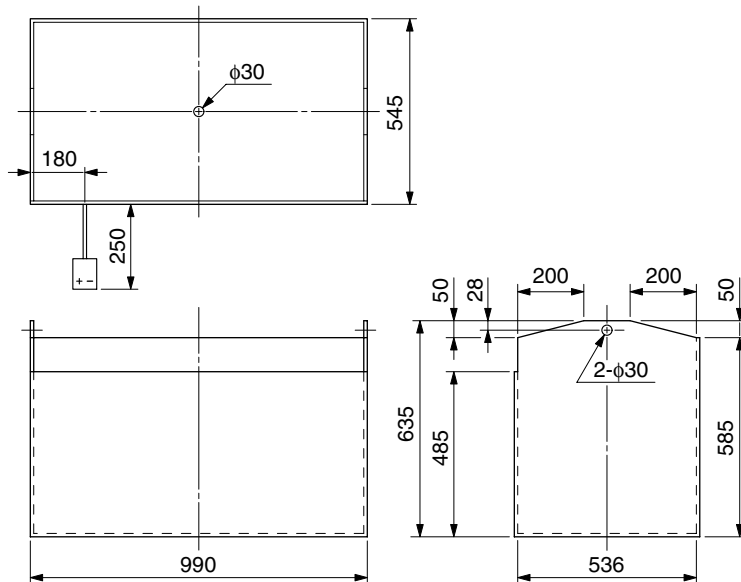
Model		7FBE15			7FBE18				
Vehicle Weight without Battery and Case	kg	2010			2165				
Minimum Weight of Battery with Case	kg	655			655				
Battery Connector Type		SB350A (2 Prong)			SB350A (2 Prong)				
Minimum Connector Length *	mm	250			250				
Truck Voltage	V	48			48				
Number of Cells	pcs	24			24				
Ampere-Hour Capacity	AH/HR	390/5	476/5	565/5	390/5	476/5	565/5		
Specs. of Cell	Overall Dimensions	Total Height	mm	522	552	552	522	552	552
		Container Height	mm	490	520	520	490	520	520
		Length	mm	109	128	128	109	128	128
		Width	mm	158	158	158	158	158	158
	Weight of Filled Cell	Approx. kg	23.0	26.0	30.5	23.0	26.0	30.5	
	Quantity of Electrolyte	Approx. liter	4.5	5.9	5.4	4.5	5.9	5.4	
Weight	Total (Battery and Case)	kg	705	730	820	705	730	820	
Operating Time			3h50m	4h55m	6h00m	3h30m	4h35m	5h40m	

NOTE: * The distance from case to the tip of the connector.

Dimensions of Battery Case

7FBE15.18

BATTERY CAPACITY : 390AH/5HR, 48V
476AH/5HR, 48V
565AH/5HR, 48V



Unit: mm

Dimensions of Battery Compartment

Model		7FBE15.18
Width	mm	998 (994)
Length	mm	551 (551)
Height	mm	613 (592)

NOTE: () for Battery Roll-Out Type.

SPECIFICATIONS OF BATTERY AND BATTERY CASE

The "minimum weight of battery with case" indicated in the table is the lightest weight of the battery required to satisfy stability requirements of the vehicle in which it is installed.

Specifications (GS YUASA)

Model		7FBE20					
Vehicle Weight without Battery and Case	kg	2480					
Minimum Weight of Battery with Case	kg	655					
Battery Connector Type		SB350A (2 Prong)					
Minimum Connector Length *	mm	250					
Truck Voltage	V	48					
Number of Cells	pcs	24					
Ampere-Hour Capacity	AH/HR	390/5	476/5	565/5	645/5		
Specs. of Cell	Overall Dimensions	Total Height	mm	522	552	552	550
		Container Height	mm	490	520	520	519
		Length	mm	109	128	128	148
		Width	mm	158	158	158	158
	Weight of Filled Cell	Approx. kg	23.0	26.0	30.5	36.5	
	Quantity of Electrolyte	Approx. liter	4.5	5.9	5.4	6.8	
Weight	Total (Battery and Case)	kg	700	745	835	978	
Operating Time			3h25m	4h30m	5h30m	6h25m	

NOTE: * The distance from case to the tip of the connector.

Dimensions of Battery Case

7FBE20

BATTERY CAPACITY : 390AH/5HR, 48V
476AH/5HR, 48V
565AH/5HR, 48V
645AH/5HR, 48V

Unit: mm

Dimensions of Battery Compartment

Model	7FBE20	
Width	mm	998
Length	mm	638
Height	mm	613

