



TOYOTA

TOYOTA



SERIES

ENGINE POWERED FORKLIFT

8FG/8FD 1.0 to 3.5 ton



 **TOYOTA**

# The Mastery of True Potential

*Kiwameru* [究], a Japanese word meaning "mastery". Mastery of any undertaking can only be achieved if there is true potential and unwavering dedication to excellence. To Toyota, the 8 Series is the proud culmination of 50 years in the pursuit of mastery in the development and manufacture of forklifts.

All who experience the level of mastery in the 8 Series will be inspired to reach for higher goals.

The spacious operator's compartment designed for clear visibility and comfort, combined with low noise operation, enhances operator performance.

Allow the mastery found in the 8 Series to develop the true potential of your workplace.



## Clear Visibility

The operator will enjoy a clear view of the fork tips thanks to the well-considered design of the instrument panel and the overhead guard.

## Large Assist Grip

The easy-to-grasp assist grip makes entering and exiting easier.

## Operator-Friendly Steering Wheel

The small-diameter steering wheel helps easy operation.

## Roomy Foot Space

Plenty of foot space enables easier entry and exit and makes the forklift more comfortable to operate.





Features and equipment may vary depending on market.



Speedometer

### Multifunction Display **OPT**

Functions such as a digital speedometer, odometer and planned maintenance hour warning indicator are included in this display.



### Travel and Load-Handling Control **OPT**

This includes idle-control to maintain lifting performance and one-button control to lower maximum speed. Powershift models also control speed based on load weight and height.

### Ample Seat Adjustment

The operator's seat can be adjusted forward and backward to accommodate most operator sizes. The amount of adjustment is 25% more than on the current model.



### Operator Presence Sensing System (OPS)

The OPS system will terminate load-handling and powered travel functions if it senses that the operator is not in the proper operating position.

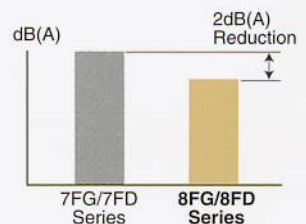
### System of Active Stability (SAS) **OPT**

The Active Control Rear Stabilizer realizes forklift stability during turns. This system includes such functions as the Mast Function Controller and Steering Synchronizer.



### Workplace-Friendly Design

Low-noise operation and environmentally friendly components help to create comfortable workplace. Operating noise has been lowered by 2 dB(A), improving conditions for the operator and those working near the forklift.



### Foot-Activated Parking Brake

The operator simply depresses the parking brake pedal without changing operating position. The release lever is also in an easy-to-use location. (Powershift transmission models only.)



### Serviceability

Extended engine hood opening provides easy access for inspections and servicing.

## MAIN SPECIFICATIONS

Model		8FG10 8FD10	8FG15 8FD15	8FG18* 8FD18*	8FGK20* 8FDK20*	8FG20 8FD20	8FGK25* 8FDK25*	8FG25 8FD25	8FGK30* 8FDK30*	8FG30 8FD30	8FGJ35 8FDJ35
Engine Model		4Y 1DZ-II	4Y 1DZ-II	4Y 1DZ-II	4Y 1DZ-II	4Y 1DZ-II, 2Z	4Y 1DZ-II	4Y 1DZ-II, 2Z	4Y 1DZ-II	4Y 1DZ-II, 2Z	4Y 2Z
Load Capacity	kg	1,000	1,500	1,750	2,000	2,000	2,500	2,500	3,000	3,000	3,500
Load Center	mm	500	500	500	500	500	500	500	500	500	500
Overall Width	A mm	1,045	1,070	1,070	1,155	1,150	1,155	1,150	1,255	1,240	1,290
Turning Radius(outside)	B mm	1,910	1,990	2,010	2,040	2,200	2,090	2,280	2,130	2,430	2,490
Overhead Guard Height	C mm	2,080	2,080	2,080	2,085	2,110	2,085	2,110	2,085	2,170	2,180
Length to Fork Face	D mm	2,240	2,290	2,310	2,380	2,560	2,445	2,635	2,520	2,795	2,865

NOTE: \*Powershift models

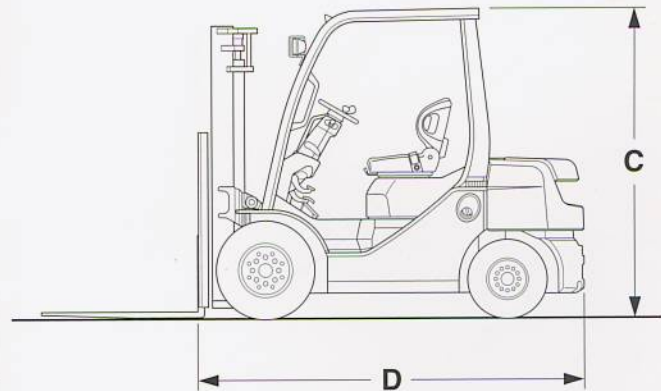
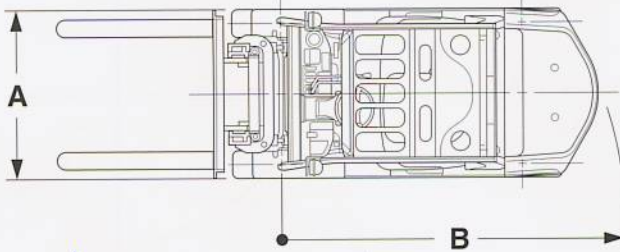
## ENGINE SPECIFICATIONS

Model		TOYOTA 4Y Gasoline
Piston Displacement	cc	2,237
Rated Horsepower/r.p.m.	kW	40/2,400 (43/2,600)
Rated Torque/r.p.m.	N-m	161/1,800

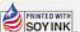
NOTE: ( ) for 30(32)-8FG30.8FGJ35

Model		TOYOTA 1DZ-II Diesel	TOYOTA 2Z Diesel
Piston Displacement	cc	2,486	3,469
Rated Horsepower/r.p.m.	kW	40/2,400 [44/2,600]	49/2,200
Rated Torque/r.p.m.	N-m	166/1,600	215/1,600

NOTE: [ ] for 60(62)-8FD20.25.30

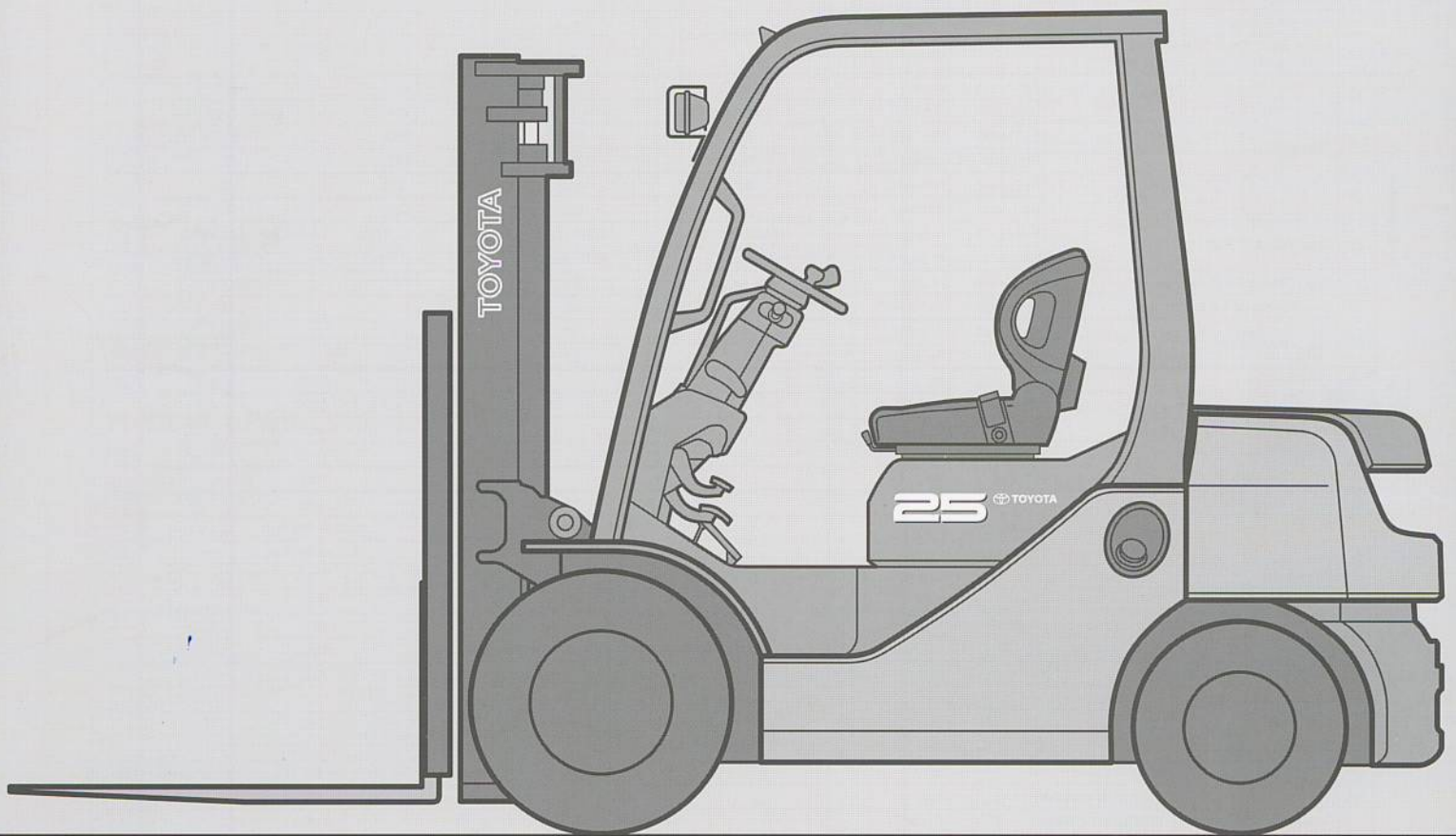


The data in this brochure is determined based on our standard testing condition. The performance may vary depending on the actual specification and condition of the vehicle as well as the condition of the operating area. Availability and specifications depend on region and are subject to change without notice. Due to photography and printing, color of the actual vehicle may vary from this brochure.

This brochure is printed on recycled paper with soy ink. 

# ENGINE POWERED FORKLIFT

## 8FG/8FD 1.0 to 3.5 Ton Series



 **TOYOTA**

# 1,500 kg

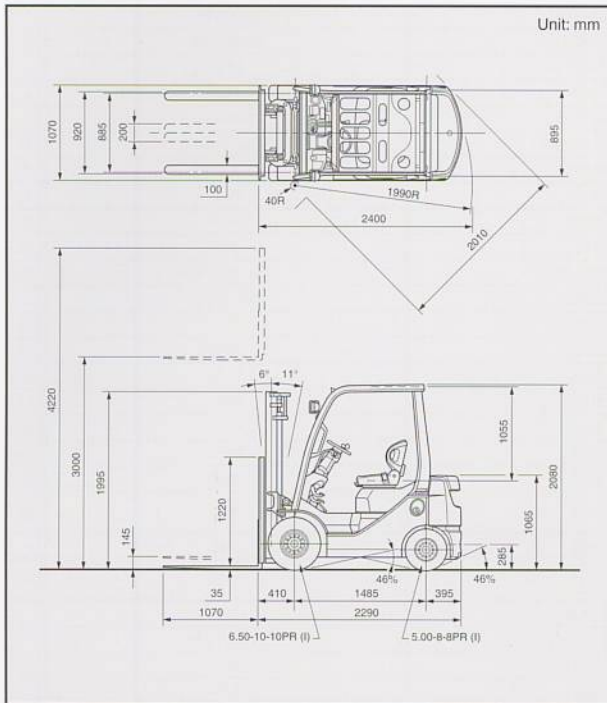
## MAIN VEHICLE SPECIFICATIONS

No.	Description		TOYOTA		TOYOTA		No.				
			30-8FG15	32-8FG15	60-8FD15	62-8FD15					
Characteristics	1	Manufacturer		TOYOTA		TOYOTA		1			
	2	Model		30-8FG15	32-8FG15	60-8FD15	62-8FD15	2			
	3	Load Capacity		1500		1500		3			
	4	Load Center		500		500		4			
	5	Power Type		Gasoline		Diesel		5			
	6	Operator Position		Rider Seated		Rider Seated		6			
	7	Tire Type	Front/Rear	Pneumatic		Pneumatic		7			
	8	Wheels (x = driven)	Front/Rear	2x/2		2x/2		8			
Dimensions	9	Maximum Fork Height (MFH)		3000		3000		9			
	10	Free Lift		145		145		10			
	13	Fork Size	T x W x L	35x100x1070		35x100x1070		13			
		Fork Spread (Outside)	MAX./MIN.	920/200		920/200					
	14	Tilt Range	FWD/BWD	6/11		6/11		14			
	15	Length to Fork Face		2290		2290		15			
	16	Overall Width		1070		1070		16			
	17	Mast Lowered Height		1995		1995		17			
	18	Mast Extended Height		4220		4220		18			
	19	Overhead Guard Height		2080		2080		19			
	21	Turning Radius (Outside)		1990		1990		21			
	22	Load Distance (Centerline of front axle to front face of forks)		410		410		22			
		Rear Overhang		395		395					
23	Basic Right Angle Stacking Aisle Width (Add load length and clearance)		2400		2400		23				
Performance	24	Travel, Max. (FWD/RVS)	Full Load	km/h	19.0/19.0	18.5/18.5	19.0/19.0	19.0/19.0	24		
			No Load	km/h	19.5/19.5	19.0/19.0	19.5/19.5	19.5/19.5			
		25	Speeds	Lifting	Full Load	mm/sec	610	610	650	650	25
					No Load	mm/sec	660	660	675	675	
	26		Lowering	Full Load	mm/sec	500	500	500	500	26	
				No Load	mm/sec	550	550	550	550		
	28	Max. Drawbar Pull		Full Load	N (kg)	15500 (1580)	17500 (1790)	15500 (1580)	17600 (1790)	28	
				No Load	N (kg)	6900 (700)	6300 (640)	7000 (710)	7000 (710)		
		Max. Drawbar Pull at 1.5km/h *		Full Load	N (kg)	—	15700 (1600)	—	16000 (1630)		
	29	Gradeability at 1.5 km/h *		Full Load	% (tan $\theta$ )	—	45	—	45	29	
30	Max. Gradeability *		Full Load	% (tan $\theta$ )	45	45	44	45	30		
			No Load	% (tan $\theta$ )	22	22	22	22			
Weight	32	Total Weight		2430		2530		32			
	33	Weight Distribution	Full Load	Front	kg	3430	3480		33		
				Rear	kg	500	550				
			34	No Load	Front	kg	1010	1060		34	
Rear					kg	1420	1470				
Wheels and Tires	35	Tires	Number	Front/Rear	2/2		2/2		35		
	36		Size	Front	6.50-10-10PR (I)		6.50-10-10PR (I)		36		
				Rear	5.00-8-8PR (I)		5.00-8-8PR (I)				
	37								37		
	38	Wheelbase		1485		1485		38			
	39	Tread	Front	mm	885	885		39			
			Rear	mm	895	895					
		Backrest Height		1220		1220					
	Overhead Guard Clearance		1055		1055						
	Counterweight Height		1065		1065						
	Drawbar Pin Center Height		285		285						
	Step Height/Floor Height		395/635		395/635						
Drive Unit and Control	40	Underclearance	Min. with Load	mm	115	115		40			
	Center of Wheelbase		mm	130	130						
	41	Grade Clearance	Frame/Counterweight	% (tan $\theta$ )	46/46	46/46					
	42	Brake	Service (Foot)	Hydraulic		Hydraulic		42			
			Parking	Hand	Foot	Hand	Foot				
	43						43				
45	Battery	Voltage/Capacity (5HR)	V/AH	12/27		12/55		45			
51	Internal Combustion Engine	Make/Model	TOYOTA/4Y		TOYOTA/1DZ-II		49				
		Rated Horsepower/r.p.m.	kW (JIS ps)	40/2400 (54/2400)		40/2400 (55/2400)		50			
		Rated Torque/r.p.m.	N-m (JIS kg-m)	162/1800 (16.5/1800)		167/1600 (17.0/1600)		51			
		Number of Cylinder		4		4					
		Piston Displacement	cc	2237		2486		52			
52	Fuel Tank Capacity		liter	45		45					
55	Transmission	Type		Manual	Powershift	Manual	Powershift	55			
		Stage	FWD/RVS	2/2		1/1					
57	Operating Pressure	For Attachments	Mpa (kg/cm $^2$ ) <psi>	11.8 (120) <1700>		11.8 (120) <1700>		57			

NOTE: \* Computed values.

The data in this publication was determined based on our standard testing condition. Operating performance may vary depending on the actual specification and condition of the vehicle as well as the condition of the operating area.

## DIMENSIONAL DRAWINGS



Unit: mm

## RATED CAPACITIES

Unit: kg (W)

### V, FV Mast (PN or PSC)

A (mm)	4000	4500	5000
500	1500	1450	1300
600	1350	1300	1170
700	1220	1180	1060
800	1120	1090	970
900	1040	1000	900
1000	960	930	830
1100	900	870	780
1200	840	810	730

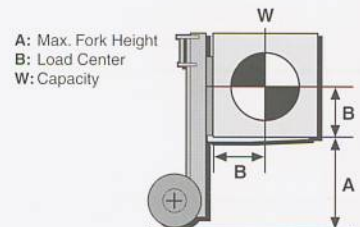
### FSV Mast (PN)

A (mm)	4300	4500	4700	5000	5500	6000	6500	7000
500	1400	1350	1350	1250 [1300]	950 [1250]	700 [1100]	— [900]	— [650]
600	1260	1210	1210	1120 [1170]	850 [1120]	630 [990]	— [810]	— [580]
700	1150	1110	1110	1020 [1060]	780 [1020]	570 [900]	— [740]	— [530]
800	1050	1020	1020	940 [980]	710 [940]	520 [830]	— [680]	— [490]
900	970	940	940	870 [900]	660 [870]	480 [760]	— [620]	— [450]
1000	910	870	870	810 [840]	610 [810]	450 [710]	— [580]	— [420]
1100	850	820	820	750 [790]	570 [750]	420 [660]	— [540]	— [390]
1200	790	770	770	710 [740]	540 [710]	390 [620]	— [510]	— [370]

[ ] for dual tire models (PN or PSC).

### FSV Mast (PSC)

A (mm)	5000	5500	6000
500	1300	1050	800
600	1170	940	720
700	1060	860	650
800	980	790	600
900	900	730	550
1000	840	680	520
1100	790	630	480
1200	740	590	450



## SPECIAL TREAD

Front Tire Single/Dual	Single	Single	Dual
Front Tire Size	6.50-10-10PR (I)	21x8-9-10PR (I)	4.50-12-8PR (I)
Overall Width mm	1070	1110	1290
Tread, Front mm	885	920	1010

## UNDERCLEARANCE mm

Mast	90
Drive Axle	120
Steer Axle	120
Center of Wheelbase	130
Counterweight	120

## MAST SPECIFICATIONS & RATED CAPACITIES

Mast Type	Maximum Fork Height	Overall Height				Free Lift		Single Tire				Dual Tire		
		Lowered	Extended		Without Load Backrest	With Standard Load Backrest	Tilt Range		Load Capacity at 500 mm LC		Tilt Range		Load Capacity at 500 mm LC	
			Without Load Backrest	With Standard Load Backrest			FWD	BWD	Pneumatic Tire	Pneumatic-Shaped Cushion Tire	FWD	BWD		
														kg
mm	mm	mm	mm	mm	mm	deg	deg	kg	kg	deg	deg	kg		
Wide Visible Mast (V)	2700	1845	3145*	3920	145	145	6	11	1500	1500	7	10	1500	
	3000	1995	3445*	4220	145	145	6	11	1500	1500	7	10	1500	
	3300	2145	3745*	4520	145	145	6	11	1500	1500	7	10	1500	
	3500	2245	3945*	4720	145	145	6	11	1500	1500	7	10	1500	
	3700	2405	4145*	4920	145	145	6	11	1500	1500	7	10	1500	
	4000	2595	4445*	5220	145	145	6	11	1500	1500	7	10	1500	
	4500	2845	4945*	5720	145	145	6	6	1450	1450	7	10	1450	
5000	3095	5445*	6220	145	145	6	6	1300	1300	7	5	1300		
Wide Visible Full-Free Lift Two-Stage Mast (FV)	2870**	1930	3430	4085	1365	710	6	11	1500	1500	7	10	1500	
	3000	1995	3560	4210	1430	780	6	11	1500	1500	7	10	1500	
	3300	2145	3860	4510	1580	930	6	11	1500	1500	7	10	1500	
	3500	2245	4060	4710	1680	1030	6	11	1500	1500	7	10	1500	
	3700	2405	4260	4910	1840	1190	6	11	1500	1500	7	10	1500	
	4000	2595	4560	5210	2030	1380	6	11	1500	1500	7	10	1500	
Wide Visible Full-Free Lift Three-Stage Mast (FSV)	3700	1795	4235	4915	1260	580	6	6	1400	1400	7	5	1400	
	4000	1895	4535	5215	1360	680	6	6	1400	1400	7	5	1400	
	4300	1995	4835	5515	1460	780	6	6	1400	1400	7	5	1400	
	4500	2065	5035	5715	1530	850	6	6	1350	1350	7	5	1350	
	4700	2145	5235	5915	1610	930	6	6	1350	1350	7	5	1350	
	5000	2245	5535	6215	1710	1030	6	6	1250	1300	7	5	1300	
	5500	2405	6035	6715	1870	1190	6	6	950	1050	7	5	1250	
	6000	2595	6535	7215	2060	1380	6	6	700	800	7	5	1100	
	6500	2845	7035	7715	2310	1630	—	—	—	—	7	5	900	
	7000	3095	7535	8215	2560	1880	—	—	—	—	7	5	650	

NOTE: Height of standard load backrest is 1220 mm.  
 \* with A4 piping, plus 155 mm.  
 \*\* Set only to a Russian specification.

# 2,000 kg

## MAIN VEHICLE SPECIFICATIONS

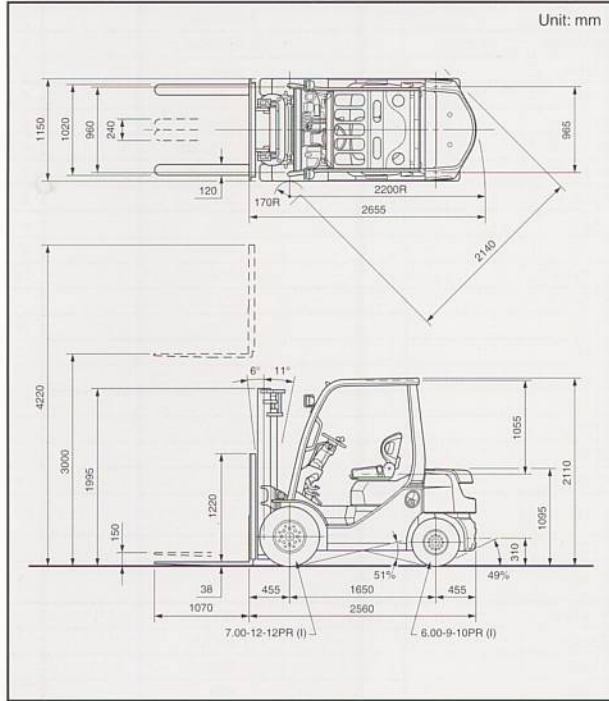
				TOYOTA		TOYOTA		TOYOTA				
				30-8FG20	32-8FG20	60-8FD20	62-8FD20	70-8FD20	72-8FD20			
Characteristics	1	Manufacturer									1	
	2	Model									2	
	3	Load Capacity			2000		2000		2000		3	
	4	Load Center			500		500		500		4	
	5	Power Type			Gasoline		Diesel		Diesel		5	
	6	Operator Position			Rider Seated		Rider Seated		Rider Seated		6	
	7	Tire Type	Front/Rear		Pneumatic		Pneumatic		Pneumatic		7	
	8	Wheels (x = driven)	Front/Rear		2x/2		2x/2		2x/2		8	
Dimensions	9	Maximum Fork Height (MFH)			3000		3000		3000		9	
	10	Free Lift			150		150		150		10	
	13	Fork Size	T x W x L		38x120x1070		38x120x1070		38x120x1070		13	
		Fork Spread (Outside)	MAX./MIN.		1020/240		1020/240		1020/240			
	14	Tilt Range	FWD/BWD		6/11		6/11		6/11		14	
	15	Length to Fork Face			2560		2560		2560		15	
	16	Overall Width			1150		1150		1150		16	
	17	Mast Lowered Height			1995		1995		1995		17	
	18	Mast Extended Height			4220		4220		4220		18	
	19	Overhead Guard Height			2110		2110		2110		19	
	21	Turning Radius (Outside)			2200		2200		2200		21	
	22	Load Distance (Centerline of front axle to front face of forks)			455		455		455		22	
		Rear Overhang			455		455		455			
23	Basic Right Angle Stacking Aisle Width (Add load length and clearance)			2655		2655		2655		23		
Performance	24	Travel, Max. (FWD/RVS)	Full Load	km/h	18.0/18.0	17.5/17.5	19.5/19.5	19.0/19.0	19.0/19.0	19.0/19.0	24	
			No Load	km/h	18.5/18.5	18.0/18.0	20.0/20.0	19.5/19.5	19.5/19.5	19.5/19.5		
			Lifting	Full Load	mm/sec	600	600	615	615	650	650	25
				No Load	mm/sec	640	640	655	655	675	675	
	26	Lowering	Full Load	mm/sec	500	500	500	500	500	500	26	
			No Load	mm/sec	500	550	500	500	500	500		
	28	Max. Drawbar Pull	Full Load	N (kg)	16500 (1680)	18700 (1910)	17500 (1780)	18600 (1900)	19500 (1990)	20000 (2040)	28	
			No Load	N (kg)	9000 (920)	9000 (920)	9100 (930)	9100 (930)	9200 (940)	9200 (940)		
		Max. Drawbar Pull at 1.5km/h *	Full Load	N (kg)	—	17200 (1750)	—	16900 (1720)	—	17500 (1780)		
	29	Gradeability at 1.5 km/h *	Full Load	% (tanθ)	—	37	—	32	—	34	29	
30	Max. Gradeability *	Full Load	% (tanθ)	33	41	33	36	38	38	30		
		No Load	% (tanθ)	22	22	22	22	22	22			
Weight	32	Total Weight			3250		3290		3340		32	
	33	Weight Distribution	Full Load	Front	kg	4580		4600		4620	33	
				Rear	kg	670		690		720		
			No Load	Front	kg	1410		1430		1450		34
Rear				kg	1840		1860		1890			
Wheels and Tires	35	Tires	Number	Front/Rear	2/2		2/2		2/2		35	
	36		Size	Front	7.00-12-12PR (I)		7.00-12-12PR (I)		7.00-12-12PR (I)		36	
				Rear	6.00-9-10PR (I)		6.00-9-10PR (I)		6.00-9-10PR (I)		37	
	37	Wheelbase			1650		1650		1650		38	
	39	Tread	Front	mm	960		960		960		39	
			Rear	mm	965		965		965			
		Backrest Height			1220		1220		1220			
	Overhead Guard Clearance			1055		1055		1055				
	Counterweight Height			1095		1095		1095				
	Drawbar Pin Center Height			310		310		310				
	Step Height/Floor Height			435/675		435/675		435/675				
40	Underclearance	Min. with Load		115		115		115		40		
41		Center of Wheelbase		160		160		160		41		
	Grade Clearance	Frame/Counterweight		51/49		51/49		51/49				
42		Service (Foot)			Hydraulic		Hydraulic		Hydraulic		42	
43	Parking			Hand	Foot	Hand	Foot	Hand	Foot	43		
45	Battery			Voltage/Capacity (5HR)		12/27		12/55		12/64		45
49	Make/Model			TOYOTA/4Y		TOYOTA/1DZ-II		TOYOTA/2Z		49		
50	Rated Horsepower/r.p.m.			kW (JIS ps)		40/2400 (54/2400)		44/2600 (60/2600)		49/2200 (66/2200)		50
51	Rated Torque/r.p.m.			N-m (JIS kg-m)		162/1800 (16.5/1800)		167/1600 (17.0/1600)		216/1600 (22.0/1600)		51
52	Number of Cylinder			4		4		4				
	Piston Displacement			cc		2237		2486		3469		52
	Fuel Tank Capacity			liter		60		60		60		
55	Transmission			Type		Manual	Powershift	Manual	Powershift	Manual	Powershift	55
	Stage		FWD/RVS			2/2	1/1	2/2	1/1	2/2	1/1	
57	Operating Pressure For Attachments			Mpa (kg/cm <sup>2</sup> ) <psi>		14.7 (150) <2100>		14.7 (150) <2100>		14.7 (150) <2100>		57

NOTE: \* Computed values.

The data in this publication was determined based on our standard testing condition. Operating performance may vary depending on the actual specification and condition of the vehicle as well as the condition of the operating area.



## DIMENSIONAL DRAWINGS



## SPECIAL TREAD

Front Tire Single/Dual	Single	Dual	Dual
Front Tire Size	7.00-12-12PR (l)	5.50-15-8PR (l)	7.00-12-12PR (l)
Overall Width	mm 1150	1450	1610
Tread, Front	mm 960	1105	1190

## UNDERCLEARANCE mm

Mast	115
Drive Axle	150
Steer Axle	160
Center of Wheelbase	160
Counterweight	150

## RATED CAPACITIES

Unit: kg (W)

### V, FV Mast (PN)

A (mm)	4000	4500	5000
500	2000	1950	1850 [1900]
600	1810	1760	1670 [1710]
700	1650	1610	1520 [1570]
800	1520	1480	1400 [1440]
900	1400	1370	1300 [1330]
1000	1310	1270	1210 [1240]
1100	1220	1190	1130 [1160]
1200	1150	1120	1060 [1090]
1300	1080	1060	1000 [1030]

### V, FV Mast (PSC)

A (mm)	4500	5000
500	1950	1900
600	1760	1710
700	1610	1570
800	1480	1440
900	1370	1330
1000	1270	1240
1100	1190	1160
1200	1120	1090
1300	1060	1030

[ ] for dual tire models.

### FSV Mast (PN)

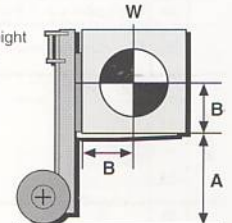
A (mm)	3700	4000	4300	4500	4700	5000	5500	6000	6500	7000
500	2000	1950	1900 [1950]	1850 [1900]	1850 [1900]	1450 [1850]	1200 [1800]	850 [1600]	—	—
600	1810	1760	1720 [1760]	1670 [1720]	1670 [1720]	1310 [1630]	1080 [1630]	770 [1450]	—	—
700	1650	1610	1570 [1610]	1530 [1570]	1530 [1570]	1200 [1530]	990 [1490]	700 [1320]	—	—
800	1520	1490	1450 [1490]	1410 [1450]	1410 [1450]	1100 [1410]	910 [1370]	650 [1220]	—	—
900	1410	1380	1340 [1380]	1310 [1340]	1310 [1340]	1020 [1310]	850 [1270]	600 [1130]	—	—
1000	1320	1280	1250 [1280]	1220 [1250]	1220 [1250]	950 [1180]	790 [1180]	560 [1050]	—	—
1100	1230	1200	1170 [1200]	1140 [1170]	1140 [1170]	890 [1140]	740 [1110]	520 [990]	—	—
1200	1160	1130	1100 [1130]	1070 [1100]	1070 [1100]	840 [1070]	690 [1040]	490 [930]	—	—
1300	1090	1070	1040 [1070]	1010 [1040]	1010 [1040]	790 [1010]	650 [980]	460 [870]	—	—

[ ] for dual tire models (PN or PSC).

### FSV Mast (PSC)

A (mm)	5000	5500	6000
500	1600	1350	1000
600	1450	1220	900
700	1320	1120	820
800	1220	1030	760
900	1130	950	700
1000	1050	890	660
1100	990	830	610
1200	930	780	580
1300	870	740	540

A: Max. Fork Height  
B: Load Center  
W: Capacity

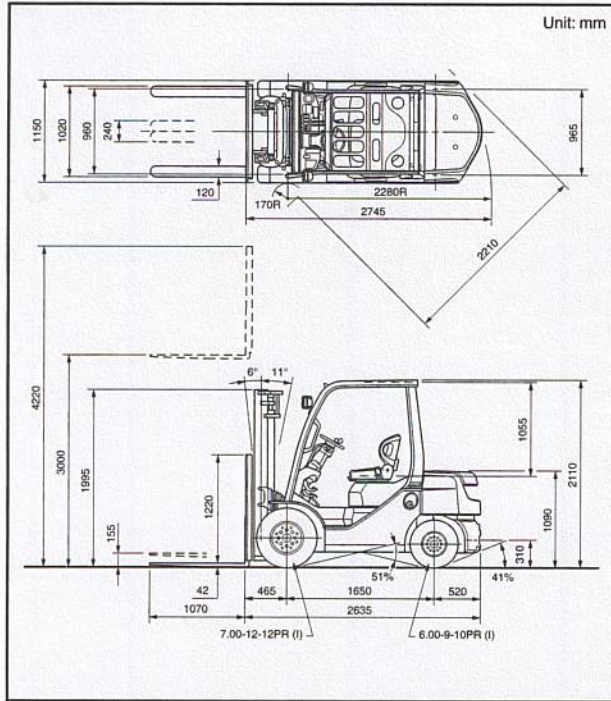


## MAST SPECIFICATIONS & RATED CAPACITIES

Mast Type	Maximum Fork Height	Overall Height				Free Lift		Single Tire				Dual Tire		
		Lowered	Extended		Without Load Backrest	With Standard Load Backrest	Tilt Range		Load Capacity at 500 mm LC		Tilt Range		Load Capacity at 500 mm LC	
			Without Load Backrest	With Standard Load Backrest			FWD	BWD	Pneumatic Tire	Pneumatic-Shaped Cushion Tire	FWD	BWD		
														kg
Wide Visible Mast (V)	2700	1845	3375*	3920	145	145	6	11	2000	2000	6	11	2000	
	3000	1995	3675*	4220	145	145	6	11	2000	2000	6	11	2000	
	3300	2145	3975*	4520	145	145	6	11	2000	2000	6	11	2000	
	3500	2245	4175*	4720	145	145	6	11	2000	2000	6	11	2000	
	3700	2405	4375*	4920	145	145	6	11	2000	2000	6	11	2000	
	4000	2595	4675*	5220	145	145	6	11	2000	2000	6	11	2000	
	4500	2845	5175*	5720	145	145	6	6	1950	1950	6	6	1950	
	5000	3095	5675*	6220	145	145	6	6	1850	1900	6	6	1900	
Wide Visible Full-Free Lift Two-Stage Mast (FV)	3000	1995	3560	4175	1395	780	6	11	2000	2000	6	11	2000	
	3300	2145	3860	4435	1545	970	6	11	2000	2000	6	11	2000	
	3500	2245	4060	4635	1645	1070	6	11	2000	2000	6	11	2000	
	3700	2405	4260	4835	1805	1230	6	11	2000	2000	6	11	2000	
	4000	2595	4560	5135	1995	1420	6	11	2000	2000	6	11	2000	
Wide Visible Full-Free Lift Three-Stage Mast (FSV)	3700	1795	4275	4910	1220	580	6	6	2000	2000	6	6	2000	
	4000	1895	4575	5210	1320	680	6	6	1950	1950	6	6	1950	
	4300	1995	4875	5510	1420	780	6	6	1900	1900	6	6	1950	
	4500	2065	5075	5710	1490	850	6	6	1850	1850	6	6	1900	
	4700	2145	5275	5910	1570	930	6	6	1850	1850	6	6	1900	
	5000	2245	5575	6210	1670	1030	6	6	1450	1600	6	6	1850	
	5500	2405	6075	6710	1830	1190	6	6	1200	1350	6	6	1800	
	6000	2595	6575	7210	2020	1380	6	6	850	1000	6	6	1600	
	6500	2845	7075	7710	2270	1630	—	—	—	—	6	6	1550	
	7000	3095	7575	8210	2520	1880	—	—	—	—	6	6	1200	

NOTE: Height of standard load backrest is 1220 mm, with A4 piping, minus 15 mm.

## DIMENSIONAL DRAWINGS



## SPECIAL TREAD

Front Tire Single/Dual	Single	Dual	Dual
Front Tire Size	7.00-12-12PR (I)	5.50-15-8PR (I)	7.00-12-12PR (I)
Overall Width mm	1150	1450	1610
Tread, Front mm	960	1105	1190

## UNDERCLEARANCE mm

Mast	115
Drive Axle	150
Steer Axle	160
Center of Wheelbase	160
Counterweight	150

## RATED CAPACITIES

Unit: kg (W)

### V, FV Mast (PN)

A (mm)	4000	4500	5000
500	2500 [2450]	2150 [2170]	1700 [1700]
600	2260 [2210]	1940 [1940]	1540 [1540]
700	2070 [2020]	1780 [1780]	1400 [1400]
800	1900 [1860]	1640 [1640]	1290 [1290]
B (mm)	1760 [1730]	1510 [1510]	1200 [1200]
1000	1640 [1610]	1410 [1410]	1110 [1110]
1100	1540 [1510]	1320 [1320]	1040 [1040]
1200	1440 [1410]	1240 [1240]	980 [980]
1300	1360 [1330]	1170 [1170]	920 [920]

[ ] for dual tire models.

### V, FV Mast (PSC)

A (mm)	4000	4500	5000
500	2500 [2450]	2300 [2300]	1850 [1850]
600	2260 [2210]	1940 [1940]	1540 [1540]
700	2070 [2020]	1780 [1780]	1400 [1400]
800	1900 [1860]	1640 [1640]	1290 [1290]
B (mm)	1760 [1730]	1510 [1510]	1200 [1200]
1000	1640 [1610]	1410 [1410]	1110 [1110]
1100	1540 [1510]	1320 [1320]	1040 [1040]
1200	1440 [1410]	1240 [1240]	980 [980]
1300	1360 [1330]	1170 [1170]	920 [920]

[ ] for dual tire models.

### FSV Mast (PN)

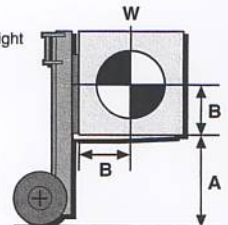
A (mm)	4000	4300	4500	4700	5000	5500	6000	6500	7000
500	2500 [2500]	2300 [2300]	2000 [2000]	2000 [2000]	1500 [1500]	1250 [1250]	900 [900]	—	—
600	2260 [2260]	2080 [2080]	1810 [1810]	1810 [1810]	1360 [1360]	1130 [1130]	810 [810]	—	—
700	2070 [2070]	1910 [1910]	1660 [1660]	1660 [1660]	1240 [1240]	1030 [1030]	740 [740]	—	—
800	1910 [1910]	1760 [1760]	1530 [1530]	1530 [1530]	1140 [1140]	950 [950]	680 [680]	—	—
B (mm)	1770 [1770]	1630 [1630]	1420 [1420]	1420 [1420]	1060 [1060]	880 [880]	630 [630]	—	—
1000	1650 [1650]	1520 [1520]	1320 [1320]	1320 [1320]	990 [990]	820 [820]	590 [590]	—	—
1100	1550 [1550]	1420 [1420]	1240 [1240]	1240 [1240]	930 [930]	770 [770]	550 [550]	—	—
1200	1450 [1450]	1340 [1340]	1160 [1160]	1160 [1160]	870 [870]	720 [720]	520 [520]	—	—
1300	1370 [1370]	1260 [1260]	1100 [1100]	1100 [1100]	820 [820]	680 [680]	490 [490]	—	—

[ ] for dual tire models (PN or PSC).

### FSV Mast (PSC)

A (mm)	5000	5500	6000
500	1650 [1650]	1400 [1400]	1050 [1050]
600	1490 [1490]	1270 [1270]	950 [950]
700	1370 [1370]	1160 [1160]	870 [870]
800	1260 [1260]	1070 [1070]	800 [800]
B (mm)	900 [900]	1170 [1170]	990 [990]
1000	1090 [1090]	920 [920]	690 [690]
1100	1020 [1020]	860 [860]	650 [650]
1200	960 [960]	810 [810]	610 [610]
1300	900 [900]	770 [770]	570 [570]

A: Max. Fork Height  
B: Load Center  
W: Capacity



## MAST SPECIFICATIONS & RATED CAPACITIES

Mast Type	Maximum Fork Height	Overall Height		Free Lift		Single Tire				Dual Tire			
		Lowered	Extended		Without Load Backrest	With Standard Load Backrest	Tilt Range		Load Capacity at 500 mm LC		Tilt Range		Load Capacity at 500 mm LC
			Without Load Backrest	With Standard Load Backrest			FWD	BWD	Pneumatic Tire	Pneumatic-Shaped Cushion Tire	FWD	BWD	
		mm	mm	mm	mm	mm	mm	deg	deg	kg	kg	deg	deg
Wide Visible Mast (V)	2700	1845	3375*	3920	150	150	6	11	2500	2500	6	11	2500
	3000	1995	3675*	4220	150	150	6	11	2500	2500	6	11	2500
	3300	2145	3975*	4520	150	150	6	11	2500	2500	6	11	2500
	3500	2245	4175*	4720	150	150	6	11	2500	2500	6	11	2500
	3700	2405	4375*	4920	150	150	6	11	2500	2500	6	11	2500
	4000	2595	4675*	5220	150	150	6	6	2500	2500	6	11	2500
	4500	2845	5175*	5720	150	150	6	6	2150	2300	6	11	2450
5000	3095	5675*	6220	150	150	6	6	1700	1850	6	6	2400	
Wide Visible Full-Free Lift Two-Stage Mast (FV)	3000	1995	3560	4175	1400	785	6	11	2500	2500	6	11	2500
	3300	2145	3860	4435	1550	975	6	11	2500	2500	6	11	2500
	3500	2245	4060	4635	1650	1075	6	11	2500	2500	6	11	2500
	3700	2405	4260	4835	1810	1235	6	11	2500	2500	6	11	2500
	4000	2595	4560	5135	2000	1425	6	6	2500	2500	6	11	2500
Wide Visible Full-Free Lift Three-Stage Mast (FSV)	3700	1795	4270	4910	1225	585	6	6	2500	2500	6	6	2500
	4000	1895	4570	5210	1325	685	6	6	2500	2500	6	6	2500
	4300	1995	4870	5510	1425	785	6	6	2300	2300	6	6	2500
	4500	2065	5070	5710	1495	855	6	6	2000	2000	6	6	2450
	4700	2145	5270	5910	1575	935	6	6	2000	2000	6	6	2450
	5000	2245	5570	6210	1675	1035	6	6	1500	1650	6	6	2400
	5500	2405	6070	6710	1835	1195	6	6	1250	1400	6	6	2050
	6000	2595	6570	7210	2025	1385	6	6	900	1050	6	6	1700
	6500	2845	7070	7710	2275	1635	—	—	—	—	6	6	1550
	7000	3095	7570	8210	2525	1885	—	—	—	—	6	6	1200

NOTE: Height of standard load backrest is 1220 mm.  
\* with A4 piping, minus 15 mm.

# 2,500 kg

## MAIN VEHICLE SPECIFICATIONS

Characteristics	1		TOYOTA		TOYOTA		TOYOTA		1			
	2	3	30-8FG25	32-8FG25	60-8FD25	62-8FD25	70-8FD25	72-8FD25	2			
3	Load Capacity	kg	2500		2500		2500		3			
4	Load Center	mm	500		500		500		4			
5	Power Type		Gasoline		Diesel		Diesel		5			
6	Operator Position		Rider Seated		Rider Seated		Rider Seated		6			
7	Tire Type	Front/Rear	Pneumatic		Pneumatic		Pneumatic		7			
8	Wheels (x = driven)	Front/Rear	2x/2		2x/2		2x/2		8			
Dimensions	9	Maximum Fork Height (MFH)	mm	3000		3000		3000		9		
	10	Free Lift	mm	155		155		155		10		
	13	Fork Size	T x W x L	42x120x1070		42x120x1070		42x120x1070		13		
		Fork Spread (Outside)	MAX./MIN.	1020/240		1020/240		1020/240				
	14	Tilt Range	FWD/BWD	6/11		6/11		6/11		14		
	15	Length to Fork Face	mm	2635		2635		2635		15		
	16	Overall Width	mm	1150		1150		1150		16		
	17	Mast Lowered Height	mm	1995		1995		1995		17		
	18	Mast Extended Height	mm	4220		4220		4220		18		
	19	Overhead Guard Height	mm	2110		2110		2110		19		
	21	Turning Radius (Outside)	mm	2280		2280		2280		21		
	22	Load Distance (Centerline of front axle to front face of forks)	mm	465		465		465		22		
		Rear Overhang	mm	520		520		520				
23	Basic Right Angle Stacking Aisle Width (Add load length and clearance)	mm	2745		2745		2745		23			
Performance	24	Travel, Max. (FWD/RVS)	Full Load	km/h	18.0/18.0	17.5/17.5	19.5/19.5	19.0/19.0	19.0/19.0	19.0/19.0	24	
			No Load	km/h	18.5/18.5	18.0/18.0	20.0/20.0	19.5/19.5	19.5/19.5	19.5/19.5		
		Lifting	Full Load	mm/sec	600	600	615	615	650	650	25	
			No Load	mm/sec	640	640	655	655	675	675		
	26	Lowering	Full Load	mm/sec	500	500	500	500	500	500	26	
			No Load	mm/sec	500	500	500	500	500	500		
	28	Max. Drawbar Pull	Full Load	N (kg)	16500 (1680)	18500 (1890)	17500 (1780)	19000 (1940)	19500 (1990)	20000 (2040)	28	
			No Load	N (kg)	8600 (880)	8500 (870)	8700 (890)	8700 (890)	8800 (900)	8800 (900)		
	Max. Drawbar Pull at 1.5km/h *	Full Load	N (kg)	—	17000 (1730)	—	17200 (1750)	—	17500 (1780)			
29	Gradeability at 1.5 km/h *	Full Load	% (tanθ)	—	30	—	31	—	29	29		
30	Max. Gradeability *	Full Load	% (tanθ)	28	34	28	34	33	32	30		
		No Load	% (tanθ)	19	19	19	19	19	19			
Weight	32	Total Weight	kg	3560		3600		3650		32		
	33	Weight Distribution	Full Load	Front	kg	5280		5300		5320		33
				Rear	kg	780		800		830		
	34		No Load	Front	kg	1300		1320		1340		34
Rear				kg	2260		2280		2310			
35		Number	Front/Rear	2/2		2/2		2/2		35		
36	Tires	Size	Front		7.00-12-12PR (I)		7.00-12-12PR (I)		7.00-12-12PR (I)		36	
			Rear		6.00-9-10PR (I)		6.00-9-10PR (I)		6.00-9-10PR (I)			
38	Wheelbase	mm	1650		1650		1650		38			
Wheels and Tires	39	Tread	Front	mm	960		960		960		39	
			Rear	mm	965		965		965			
		Backrest Height	mm	1220		1220		1220				
		Overhead Guard Clearance	mm	1055		1055		1055				
		Counterweight Height	mm	1090		1090		1090				
		Drawbar Pin Center Height	mm	310		310		310				
		Step Height/Floor Height	mm	435/675		435/675		435/675				
	40	Underclearance	Min. with Load	mm	115		115		115		40	
	41		Center of Wheelbase	mm	160		160		160		41	
		Grade Clearance	Frame/Counterweight	% (tanθ)	51/41		51/41		51/41			
42	Brake	Service (Foot)		Hydraulic		Hydraulic		Hydraulic		42		
			Parking		Hand	Foot	Hand	Foot	Hand	Foot	43	
45	Battery	Voltage/Capacity (5HR)	V/AH	12/27		12/55		12/64		45		
Drive Unit and Control	49	Internal Combustion Engine	Make/Model		TOYOTA/4Y		TOYOTA/1DZ-II		TOYOTA/2Z		49	
			Rated Horsepower/r.p.m.	kW (JIS ps)	40/2400 (54/2400)		44/2600 (60/2800)		49/2200 (66/2200)		50	
			Rated Torque/r.p.m.	N-m (JIS kg-m)	162/1800 (16.5/1800)		167/1600 (17.0/1600)		216/1600 (22.0/1600)		51	
			Number of Cylinder		4		4		4		52	
			Piston Displacement	cc	2237		2486		3469			
	Fuel Tank Capacity	liter	60		60		60					
55	Transmission	Type		Manual	Powershift	Manual	Powershift	Manual	Powershift	55		
		Stage	FWD/RVS	2/2		1/1		2/2			1/1	
57	Operating Pressure	For Attachments	Mpa (kg/cm <sup>2</sup> ) <psi>	14.7 (150) <2100>		14.7 (150) <2100>		14.7 (150) <2100>		57		

NOTE: \* Computed values.

The data in this publication was determined based on our standard testing condition. Operating performance may vary depending on the actual specification and condition of the vehicle as well as the condition of the operating area.

# 3,000 kg

## MAIN VEHICLE SPECIFICATIONS

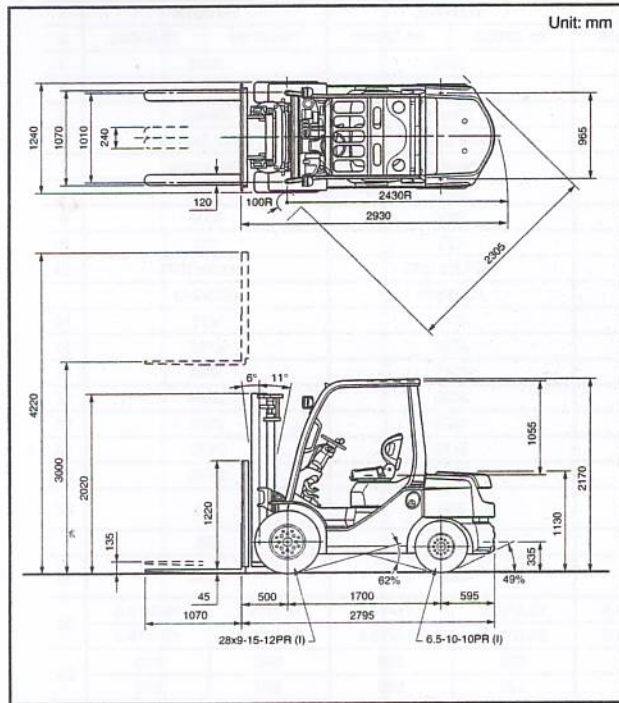
Characteristics	1		TOYOTA		TOYOTA		TOYOTA		1				
	2		30-8FG30	32-8FG30	60-8FD30	62-8FD30	70-8FD30	72-8FD30	2				
3	Load Capacity		3000		3000		3000		3				
4	Load Center		500		500		500		4				
5	Power Type		Gasoline		Diesel		Diesel		5				
6	Operator Position		Rider Seated		Rider Seated		Rider Seated		6				
7	Tire Type	Front/Rear	Pneumatic		Pneumatic		Pneumatic		7				
8	Wheels (x = driven)	Front/Rear	2x/2		2x/2		2x/2		8				
Dimensions	9 Maximum Fork Height (MFH)		3000		3000		3000		9				
	10 Free Lift		135		135		135		10				
	13 Fork Size	T x W x L	45x120x1070		45x120x1070		45x120x1070		13				
	Fork Spread (Outside)		MAX./MIN.	1070/240		1070/240		1070/240					
	14 Tilt Range	FWD/BWD	6/11		6/11		6/11		14				
	15 Length to Fork Face		mm	2795		2795		2795		15			
	16 Overall Width		mm	1240		1240		1240		16			
	17 Mast Lowered Height		mm	2020		2020		2020		17			
	18 Mast Extended Height		mm	4220		4220		4220		18			
	19 Overhead Guard Height		mm	2170		2170		2170		19			
	21 Turning Radius (Outside)		mm	2430		2430		2430		21			
	22 Load Distance (Centerline of front axle to front face of forks)		mm	500		500		500		22			
	Rear Overhang		mm	595		595		595					
23	Basic Right Angle Stacking Aisle Width (Add load length and clearance)		2930		2930		2930		23				
Performance	24	Travel, Max. (FWD/RVS)	Full Load	km/h	18.5/18.5	18.5/18.5	19.5/19.5	17.5/17.5	19.5/19.5	18.5/18.5	24		
			No Load	km/h	19.0/19.0	19.0/19.0	20.0/20.0	18.0/18.0	20.0/20.0	19.0/19.0			
		Lifting	Full Load	mm/sec	510	510	500	500	550	550	25		
			No Load	mm/sec	550	550	530	530	570	570			
	26	Lowering	Full Load	mm/sec	500	500	500	500	500	500	26		
			No Load	mm/sec	500	550	500	500	500	500			
	28	Max. Drawbar Pull		Full Load	N (kg)	16800 (1710)	18000 (1840)	16700 (1700)	19600 (2000)	19700 (2010)	19500 (1990)	28	
				No Load	N (kg)	10300 (1050)	10300 (1050)	10400 (1060)	10400 (1060)	10600 (1080)	10600 (1080)		
	29		Max. Drawbar Pull at 1.5km/h *		Full Load	N (kg)	—	15300 (1560)	—	17600 (1790)	—	17000 (1730)	
	30	Gradeability at 1.5 km/h *		Full Load	% (tanθ)	—	22	—	25	—	24	29	
No Load				% (tanθ)	23	25	23	28	27	27	30		
Weight	32 Total Weight		kg		4230		4270		4330		32		
	33	Weight Distribution	Full Load	Front	kg	6200		6230		6260		33	
				Rear	kg	1030		1040		1070			
		34	No Load	Front	kg	1460		1500		1520		34	
				Rear	kg	2770		2770		2810			
	35	Number		Front/Rear		2/2		2/2		2/2		35	
36	37	Tires		Front		28x9-15-12PR (I)		28x9-15-12PR (I)		28x9-15-12PR (I)		36	
				Rear		6.5-10-10PR (I)		6.5-10-10PR (I)		6.5-10-10PR (I)		37	
Wheels and Tires	38 Wheelbase		mm		1700		1700		1700		38		
	39	Tread		Front	mm	1010		1010		1010		39	
				Rear	mm	965		965		965			
	Backrest Height		mm		1220		1220		1220				
	Overhead Guard Clearance		mm		1055		1055		1055				
	Counterweight Height		mm		1130		1130		1130				
	Drawbar Pin Center Height		mm		335		335		335				
	Step Height/Floor Height		mm		495/730		495/730		495/730				
	40	Underclearance		Min. with Load	mm	135		135		135		40	
				Center of Wheelbase	mm	205		205		205		41	
42		Grade Clearance		Frame/Counterweight	% (tanθ)	62/49		62/49		62/49			
43	Brake		Service (Foot)		Hydraulic		Hydraulic		Hydraulic		42		
			Parking		Hand	Foot	Hand	Foot	Hand	Foot	43		
45	Battery		Voltage/Capacity (5HR)		V/AH		12/27		12/55		12/64		45
Drive Unit and Control	49		Make/Model		TOYOTA/4Y		TOYOTA/1DZ-II		TOYOTA/2Z		49		
	50		Rated Horsepower/r.p.m.		kW (JIS ps)		43/2600 (58/2600)		44/2600 (60/2600)		49/2200 (66/2200)		50
	51		Rated Torque/r.p.m.		N-m (JIS kg-m)		162/1800 (16.5/1800)		167/1600 (17.0/1600)		216/1600 (22.0/1600)		51
	52		Number of Cylinder				4		4		4		
	52		Piston Displacement		cc		2237		2486		3469		52
55		Transmission		Type		Manual	Powershift	Manual	Powershift	Manual	Powershift	55	
57		Operating Pressure		For Attachments		Mpa (kg/cm <sup>2</sup> ) <psi>		14.7 (150) <2100>		14.7 (150) <2100>		57	

NOTE: \* Computed values.

The data in this publication was determined based on our standard testing condition. Operating performance may vary depending on the actual specification and condition of the vehicle as well as the condition of the operating area.

Unit: kg (W)

## DIMENSIONAL DRAWINGS



## SPECIAL TREAD

Front Tire Single/Dual	Dual	Dual
Front Tire Size	6.00-15-10PR (I)	28x8-15-12PR (I)
Overall Width	mm 1520	1675
Tread, Front	mm 1150	1240

## UNDERCLEARANCE mm

Mast	135
Drive Axle	150
Steer Axle	180
Center of Wheelbase	205
Counterweight	175

## RATED CAPACITIES

### V, FV Mast (PN)

A (mm)	4500	5000
500	3000	2600 [3000]
600	2720	2360 [2720]
700	2500	2160 [2500]
800	2310	2000 [2310]
900	2140	1850 [2140]
1000	2000	1730 [2000]
1100	1870	1620 [1870]
1200	1760	1530 [1760]
1300	1670	1440 [1670]

[ ] for dual tire models.

### V, FV Mast (PSC)

A (mm)	4500	5000
500	3000	2750 [3000]
600	2720	2500 [2720]
700	2500	2290 [2500]
800	2310	2110 [2310]
900	2140	1960 [2140]
1000	2000	1830 [2000]
1100	1870	1720 [1870]
1200	1760	1620 [1760]
1300	1670	1530 [1670]

[ ] for dual tire models.

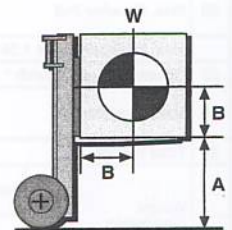
### FSV Mast (PN)

A (mm)	4700	5000	5500	6000	6500	7000
500	3000	2600 [2950]	1900 [2650]	1500 [2050]	—	—
600	2730	2360 [2680]	1730 [2410]	1360 [1860]	—	—
700	2500	2170 [2460]	1580 [2210]	1250 [1710]	—	—
800	2310	2000 [2270]	1460 [2040]	1150 [1580]	—	—
900	2150	1860 [2110]	1360 [1900]	1070 [1470]	—	—
1000	2010	1740 [1970]	1270 [1770]	1000 [1370]	—	—
1100	1880	1630 [1850]	1190 [1660]	940 [1290]	—	—
1200	1770	1540 [1740]	1120 [1570]	880 [1210]	—	—
1300	1680	1450 [1650]	1060 [1480]	840 [1140]	—	—

[ ] for dual tire models (PN or PSC).

### FSV Mast (PSC)

A (mm)	4700	5000	5500	6000
500	3000	2750	2050	1650
600	2730	2500	1860	1500
700	2500	2290	1710	1370
800	2310	2120	1580	1270
900	2150	1970	1470	1180
1000	2010	1840	1370	1100
1100	1880	1730	1290	1030
1200	1770	1630	1210	970
1300	1680	1540	1140	920



A: Max. Fork Height  
B: Load Center  
W: Capacity

## MAST SPECIFICATIONS & RATED CAPACITIES

Mast Type	Maximum Fork Height	Overall Height				Free Lift		Single Tire				Dual Tire		
		Lowered	Extended		Without Load Backrest	With Standard Load Backrest	Tilt Range		Load Capacity at 500 mm LC		Tilt Range		Load Capacity at 500 mm LC	
			Without Load Backrest	With Standard Load Backrest			FWD	BWD	Pneumatic Tire	Pneumatic-Shaped Cushion Tire	FWD	BWD		
														deg
Wide Visible Mast (V)	2700	1865	3440*	3920	135	135	6	11	3000	3000	6	11	3000	
	3000	2015	3740*	4220	135	135	6	11	3000	3000	6	11	3000	
	3300	2165	4040*	4520	135	135	6	11	3000	3000	6	11	3000	
	3500	2265	4240*	4720	135	135	6	11	3000	3000	6	11	3000	
	3700	2425	4440*	4920	135	135	6	11	3000	3000	6	11	3000	
	4000	2615	4740*	5220	135	135	6	11	3000	3000	6	11	3000	
Wide Visible Full-Free Lift Two-Stage Mast (FV)	3700	2425	4440*	4920	135	135	6	11	3000	3000	6	11	3000	
	4000	2615	4740*	5220	135	135	6	11	3000	3000	6	11	3000	
	4500	2865	5240*	5720	135	135	6	6	3000	3000	6	11	3000	
	5000	3115	5740*	6220	135	135	6	6	2600	2750	6	6	3000	
	3000	2015	3655	4260	1400	795	6	11	3000	3000	6	11	3000	
	3300	2165	3955	4515	1550	990	6	11	3000	3000	6	11	3000	
Wide Visible Full-Free Lift Three-Stage Mast (FSV)	3500	2265	4155	4715	1650	1090	6	11	3000	3000	6	11	3000	
	3700	2425	4355	4915	1810	1250	6	11	3000	3000	6	11	3000	
	4000	2615	4655	5215	2000	1440	6	11	3000	3000	6	11	3000	
	3700	1915	4315	4920	1300	695	6	6	3000	3000	6	6	3000	
	4000	2015	4615	5220	1400	795	6	6	3000	3000	6	6	3000	
	4300	2165	4915	5520	1550	945	6	6	3000	3000	6	6	3000	
	4500	2215	5115	5720	1600	995	6	6	3000	3000	6	6	3000	
	4700	2265	5315	5920	1650	1045	6	6	3000	3000	6	6	3000	
	5000	2425	5615	6220	1810	1205	6	6	2600	2750	6	6	2950	
	5500	2615	6115	6720	2000	1395	6	6	1900	2050	6	6	2650	
6000	2865	6615	7220	2250	1645	6	6	1500	1650	6	6	2050		
6500	3115	7115	7720	2500	1895	—	—	—	—	6	6	1600		
7000	3365	7615	8220	2750	2145	—	—	—	—	6	6	1200		

NOTE: Height of standard load backrest is 1220 mm. with A4 piping, minus 20 mm.

# STANDARD EQUIPMENT

## 8FG10. 15. 18. 20. 25. 30, 8FGJ35 8FGK20.25.30

- Wide Visible Mast (V) [MFH: 3,000 mm]
- Load backrest (V and FSV masts) [Height: 1,220 mm]
- Easy-down system (V mast)
- Alternator with IC regulator
- Same key for multiple forklifts
- 7" cyclone air cleaner with snorkel air intake
- Radiator reservoir tank
- Operator Presence Sensing System (OPS)
- Dual-action parking brake [Manual transmission models]
- Foot-activated parking brake [Powershift transmission models]
- Assist grip
- Neutral safety switch
- Electronic shift control
- Full hydraulic power steering
- Overhead guard sheet
- Overhead guard
- Rain gutter
- Hidden tilt cylinder
- Tilt cylinder boots
- Tilt steering column
- Engine hood damper (lockable)
- Jack point
- Drawbar pin
- Engine hood insulation
- Headlights
- Headlights guard
- Integrated light & Turn signal switch
- Hour meter
- Engine water temperature indicator
- All-time fuel meter
- Engine oil pressure warning light
- Charge warning light
- Electric horn
- Storage area

## 8FD10. 15. 18. 20. 25. 30, 8FDJ35 8FDK20.25.30

- Wide Visible Mast (V) [MFH: 3,000 mm]
- Load backrest (V and FSV masts) [Height: 1,220 mm]
- Easy-down system (V mast)
- Alternator with IC regulator
- Intake heater (2Z engine models)
- Super glow control system (1DZ-II engine models)
- Sedimenter
- Same key for multiple forklifts
- 7" cyclone air cleaner with snorkel air intake
- Radiator reservoir tank
- Operator Presence Sensing System (OPS)
- Dual-action parking brake [Manual transmission models]
- Foot-activated parking brake [Powershift transmission models]
- Assist grip
- Neutral safety switch
- Electronic shift control
- Full hydraulic power steering
- Overhead guard sheet
- Overhead guard
- Rain gutter
- Hidden tilt cylinder
- Tilt cylinder boots
- Tilt steering column
- Engine hood damper (lockable)
- Jack point
- Drawbar pin
- Engine hood insulation
- Headlights
- Headlights guard
- Integrated light & Turn signal switch
- Hour meter
- Engine water temperature indicator
- All-time fuel meter
- Engine oil pressure warning light
- Charge warning light
- Pre-heat indicator light
- Sedimenter warning light
- Electric horn
- Storage area